

HINIKER AR-2000 SHREDDER PARTS BOOK

SECTION 1	PTO SHAFTS
SECTION 2	GEARBOX
SECTION 3	HITCH ASSEMBLIES
SECTION 4	BODY ASSEMBLIES
SECTION 5	COMPONENT PARTS
SECTION 6	OPTIONAL EQUIPMENT

PARTS

It is the policy of Hiniker Company to constantly improve its products whenever it is practical to do so.

Hiniker Company must therefore reserve the right to redesign or change its equipment or component parts thereof without incurring the obligation to install or furnish such changes on the equipment previously delivered.

INSTRUCTIONS FOR ORDERING PARTS

1. The reference numbers (Ref. No.) in the illustrations correspond to the same reference numbers (Ref. No.) in the description list. An assembly having a part number can be ordered. All other parts must be ordered individually. The quantity in the (Qty.) column is the number of parts used in this area of the machine. The term "A/R" for number required indicates "as required" where the quantity may vary. Order all parts by their part number and description. Do not use the reference number (Ref. No.).
2. All references to left and right, front and rear apply to the machine as viewed from the rear of the machine, facing forward in the direction of travel.
3. Always mention the identification number of the model and serial numbers found on the name plate of the unit on which the part is to be used. Much delay and confusion can be avoided when correct numbers are specified on parts order and correspondence.

HINIKER COMPANY
58766 240th St.
P.O. BOX 3407
MANKATO, MN 56002-3407 USA
Phone: (800) 433-5620
Fax: (800) 637-3991
e-mail: hiniker@hiniker.com

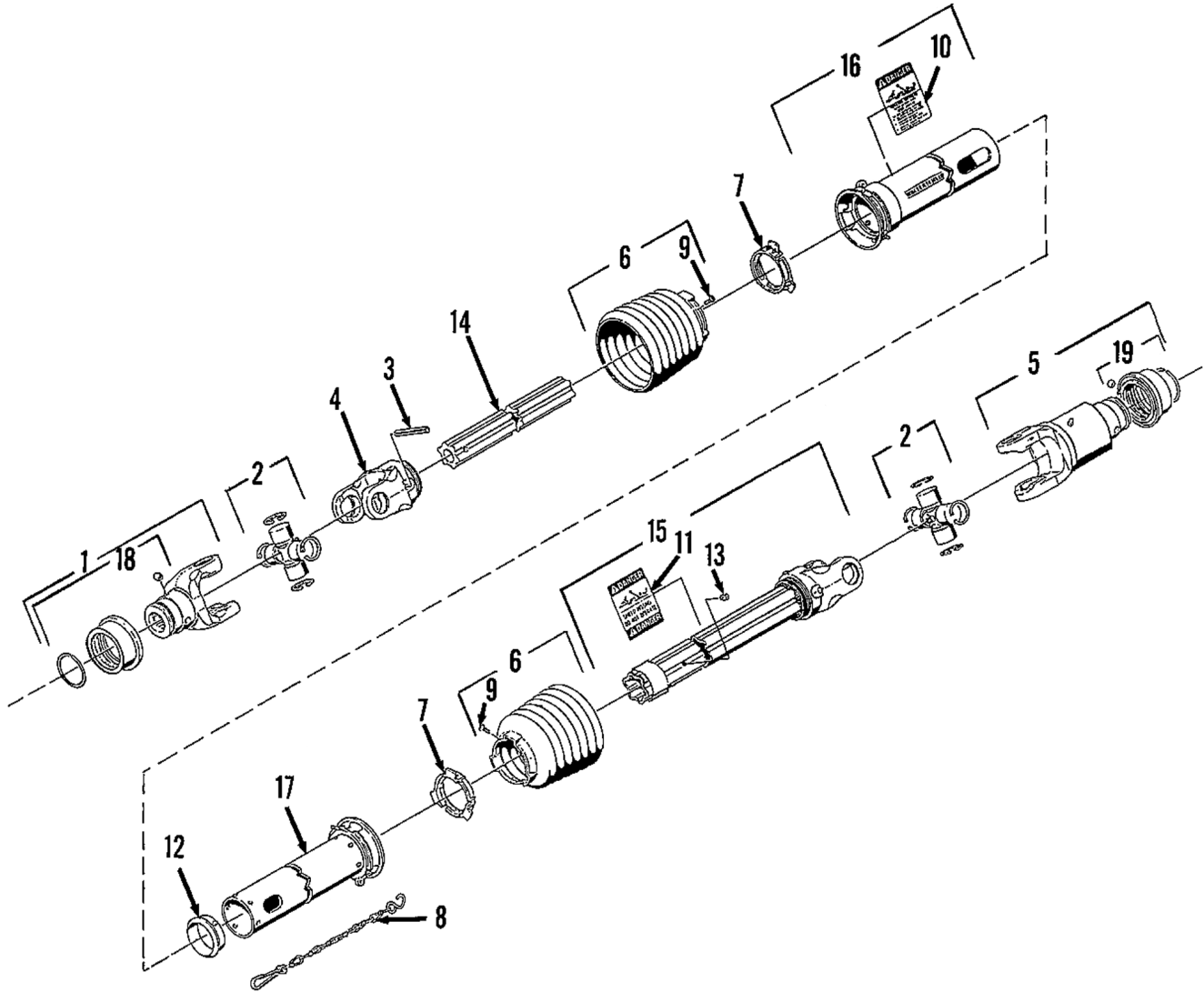
SECTION 1

PTO SHAFTS

PAGE 2	3-POINT HITCH PTO 1 3/8-21 (YELLOW) SHIELDS
PAGE 3	3-POINT HITCH PTO 1 3/8-21 (BLACK) SHIELDS
PAGE 4	3-POINT HITCH PTO 1 3/4-20 (YELLOW) SHIELDS
PAGE 5	3-POINT HITCH PTO 1 3/4-20 (BLACK) SHIELDS
PAGE 6	1 3/8-21 1000 RPM CV PTO
PAGE 7	1 3/4-20 1000 RPM CV PTO
PAGE 8	OVERRUNNING CLUTCH, 1000 RPM

HINIKER AR-2000 SHREDDER

3-POINT HITCH PTO 1 3/8-21
(YELLOW SHIELDS)

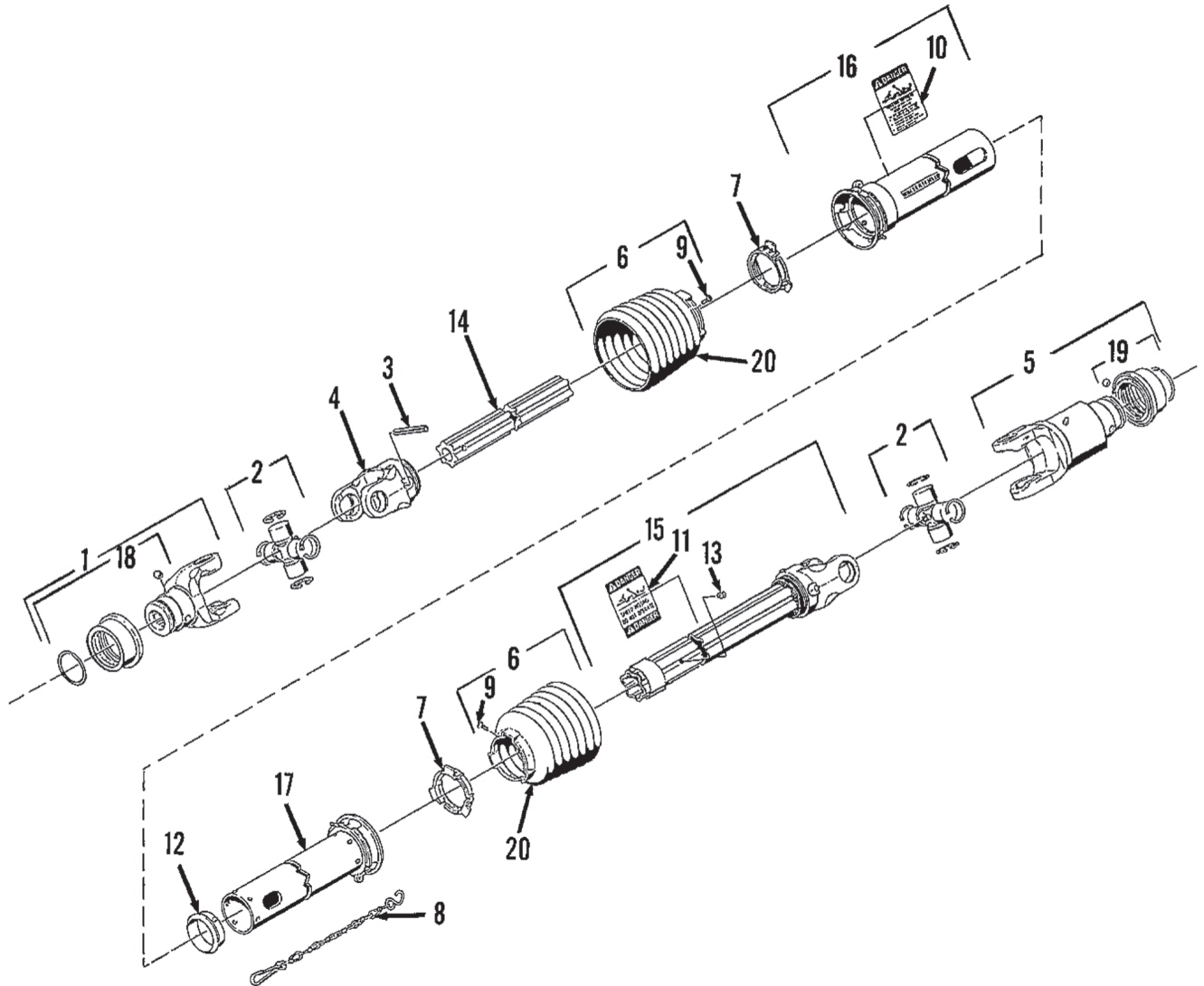


520-02157 3-Point PTO Shaft Assembly

DWG. NO. 2509

REF. NO.	PART NUMBER	DESCRIPTION	QTY.	REF. NO.	PART NUMBER	DESCRIPTION	QTY.
1	520-03158	Yoke 1 3/8 - 21 Spline	1	11	520-03139	Inner Decal	1
2	520-03128	Cross & Bearing Kit	2	12	520-03136	Support Bearing	1
3	520-03124	Spring Pin 10 x 90	1	13	520-03140	Grease Zerk	1
4	520-03159	Inboard Yoke	1	14	520-03165	Inner Profile	1
5	520-03118	Overrunning Clutch (See Section 1 Page 8)	1	15	520-03162	Inboard Yoke Outer	1
6	520-03134	Shield Cone 7 Rib	2	16	520-03163	Outer Shield Tube	1
7	520-03129	Bearing Ring	2	17	520-03164	Inner Shield Tube	1
8	520-03137	Chain	1	18	520-03141	Collar Kit	0
9	520-03135	Screw	2	19	520-03142	Collar Kit	0
10	520-03138	Outer Decal	1		520-02157	Complete PTO Shaft Assembly	

3-POINT HITCH PTO 1 3/8-21
(BLACK SHIELDS)



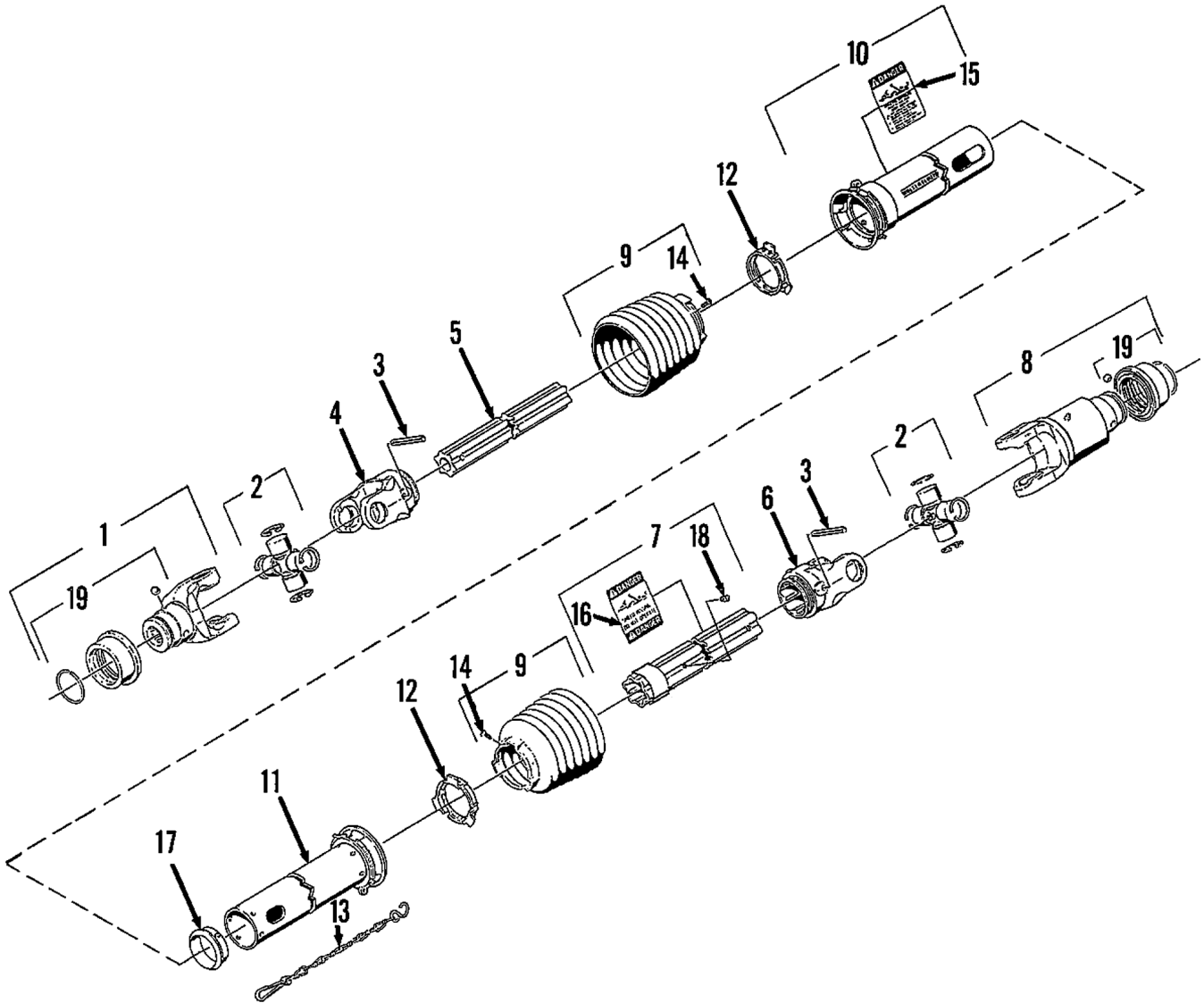
79204096 3-Point PTO Shaft Assembly

DWG. NO. 2509A

REF. NO.	PART NUMBER	DESCRIPTION	QTY.	REF. NO.	PART NUMBER	DESCRIPTION	QTY.
1	520-03158	Yoke 1 3/8 - 21 Spline	1	12	520-03136	Support Bearing	1
2	79203639	Cross & Bearing Kit	2	13	520-03140	Grease Zerk	1
3	520-03124	Spring Pin 10 x 90	2	14	79204099	Inner Profile	1
4	520-03159	Inboard Yoke	1	15	79204115	Inboard Yoke Outer	1
5	520-03118	Overrunning Clutch (See Section 1 Page 8)	1	16	520-03163	Outer Shield Tube	1
6	52003235	Shield Cone 7 Rib	2	17	520-03164	Inner Shield Tube	1
7	520-03129	Bearing Ring	2	18	520-03141	Collar Kit	0
8	520-03137	Chain	1	19	520-03142	Collar Kit	0
9	520-03135	Screw	2	20	79203403	Reinforcing Collar	2
10	520-03138	Outer Decal	1		79204096	Complete PTO Shaft Assembly	
11	520-03139	Inner Decal	1				

HINIKER AR-2000 SHREDDER

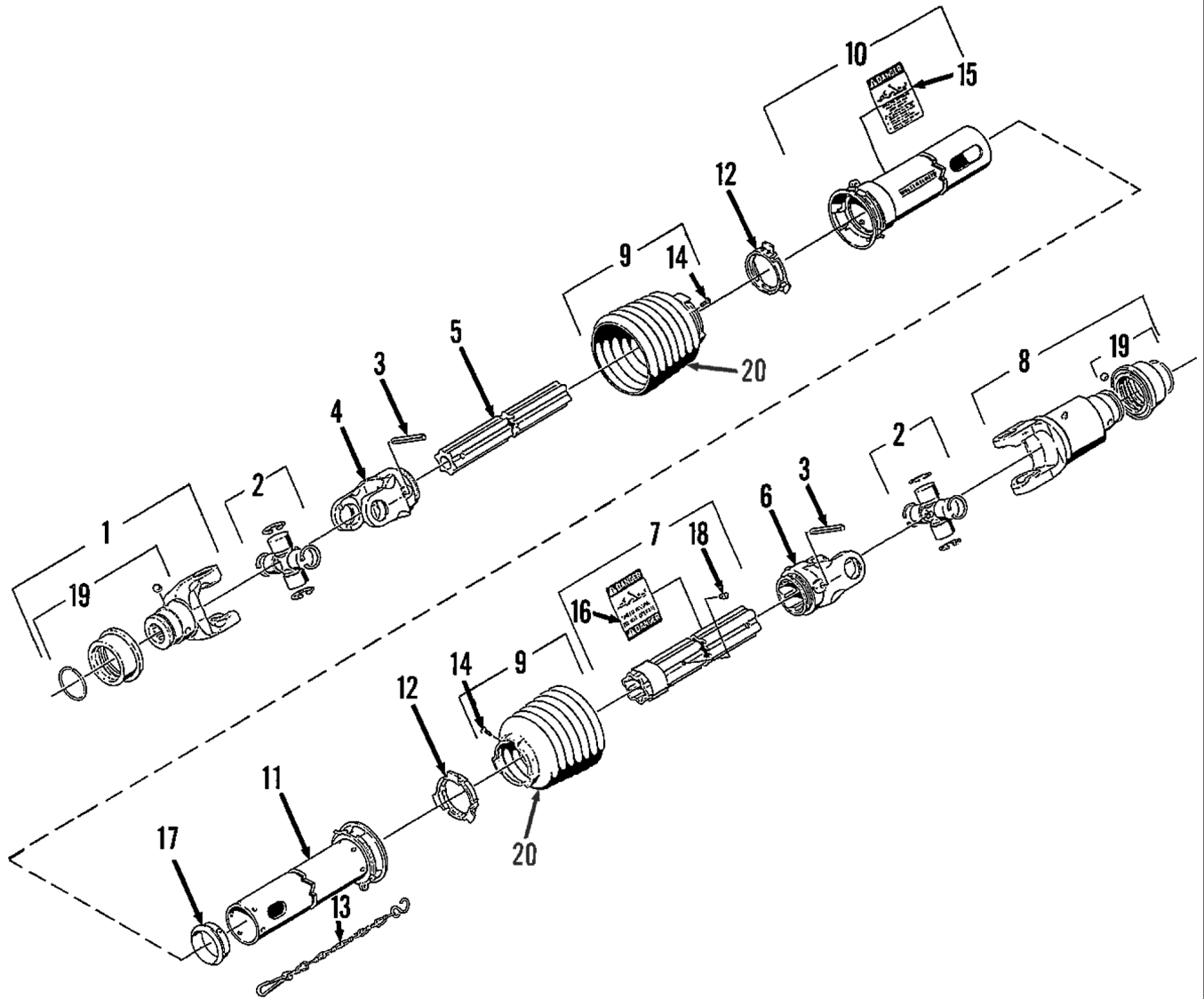
3-POINT HITCH PTO 1 3/4-20
(YELLOW SHIELDS)



DWG. NO. 2515

REF. NO.	PART NUMBER	DESCRIPTION	QTY.	REF. NO.	PART NUMBER	DESCRIPTION	QTY.
1	520-03170	Yoke 1 3/4-20 Spline	1	11	520-03174	Inner Shield Tube	1
2	520-03128	Cross & Bearing Kit	2	12	520-03129	Bearing Ring	2
3	520-03124	Spring Pin	2	13	520-03137	Chain	1
4	520-03159	Inboard Yoke	1	14	520-03135	Screw	2
5	520-03165	Inner Profile	1	15	520-03138	Danger Decal	1
6	520-03127	Inboard Yoke	1	16	520-03139	Danger Decal	1
7	520-03172	Outer Profile	1	17	520-03136	Support Bearing	1
8	520-03118	Overrunning Clutch (See Section 1 Page 8)	1	18	520-03140	Grease Zerk	1
9	520-03134	Shield Cone	2	19	520-03142	Collar Kit	2
10	520-03173	Outer Shield Tube	1				

3-POINT HITCH PTO 1 3/4-20
(BLACK SHIELDS)



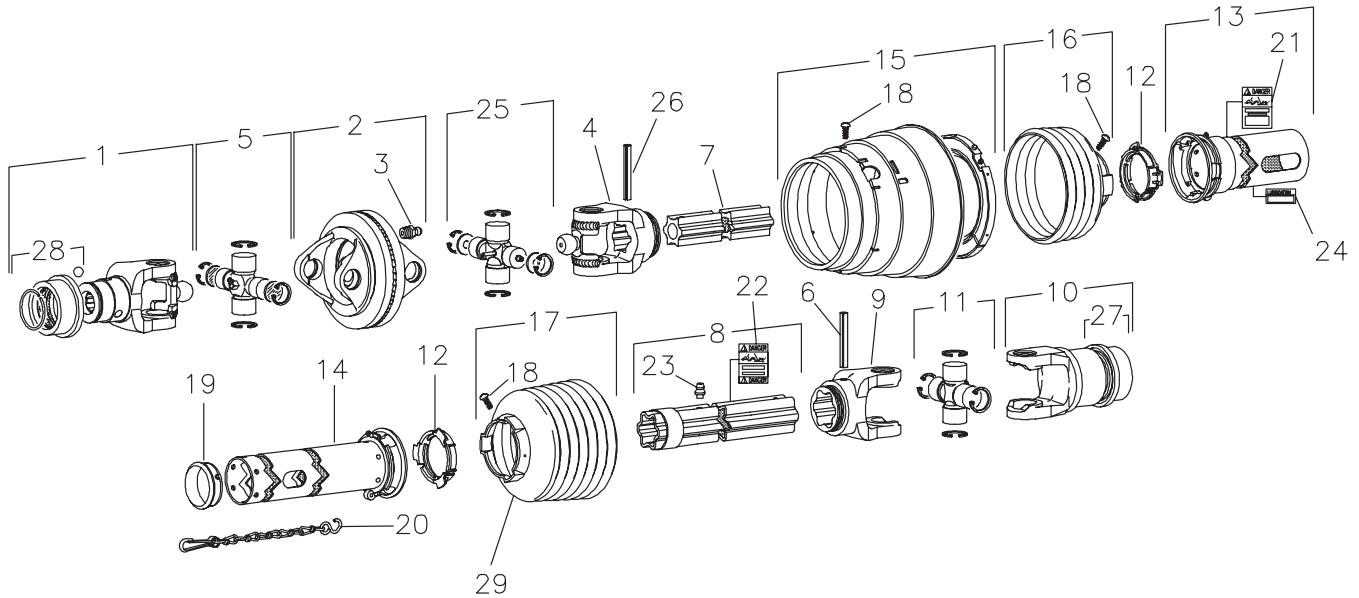
79204095 3-Point PTO Shaft Assembly

DWG. NO. 2515A

REF. NO.	PART NUMBER	DESCRIPTION	QTY.	REF. NO.	PART NUMBER	DESCRIPTION	QTY.
1	520-03170	Yoke 1 3/4-20 Spline	1	12	520-03129	Bearing Ring	2
2	79203639	Cross & Bearing Kit	2	13	520-03137	Chain	1
3	520-03124	Spring Pin	2	14	520-03135	Screw	2
4	520-03159	Inboard Yoke	1	15	520-03138	Danger Decal	1
5	79204099	Inner Profile	1	16	520-03139	Danger Decal	1
6	520-03127	Inboard Yoke	1	17	520-03136	Support Bearing	1
7	79204100	Outer Profile	1	18	520-03140	Grease Zerk	1
8	520-03118	Overrunning Clutch (See Section 1 Page 8)	1	19	520-03142	Collar Kit	2
9	520-03235	Shield Cone	2	20	79203403	Reinforcing Collar	5
10	520-03173	Outer Shield Tube	1		79204095	Complete 3 Point PTO Assembly	
11	520-03174	Inner Shield Tube	1				

HINIKER AR-2000 SHREDDER

1 3/8-21 1000 RPM CV PTO



79202278 PTO 1 3/8-21 GKN 395564

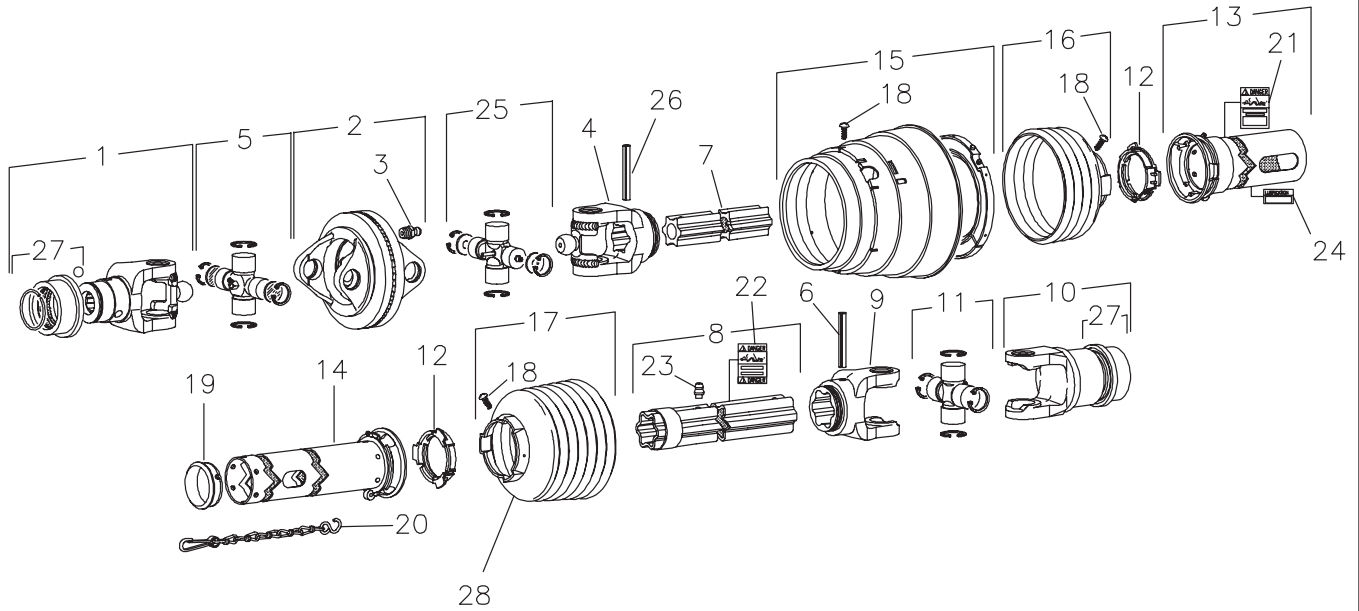
DWG. NO. 5936

REF. NO.	PART NUMBER	DESCRIPTION	QTY.	REF. NO.	PART NUMBER	DESCRIPTION	QTY.
1	520-03119	Yoke, 1 3/8-21 Spline	1	16	52003234	Shield Cone 4 Rib	1
2	520-03120	Double Yoke	1	17	52003235	Shield Cone 7 Rib	1
3	520-03121	Grease Zerk	1	18	520-03135	Screw	10
4	52003230	Inboard Yoke S4	1	19	520-03136	Support Bearing	1
5	520-03123	Cross & Bearing Kit	1	20	520-03137	Safety Chain	1
6	520-03124	Spring Pin 10 x 90	1	21	520-03138	Outer Decal	1
7	520-03144	Inner Profile	1	22	520-03139	Inner Decal	1
8	520-03176	Profile & Sleeve Weldment	1	23	520-03140	Grease Zerk	1
9	520-03127	Inboard Yoke S5	1	24	52003236	Lubrication Decal	1
10	520-03118	Overrunning Clutch (See Section 1, Page 8)	1	25	52003237	Cross & Bearing Kit	1
11	52003243	Cross & Bearing Kit	1	26	52003242	Spring Pin 10 x 75	1
12	520-03129	Bearing Ring	2	27	520-03142	Collar Kit (In Item 7)	1
13	52003246	Out Shield Tube OVL	1	28	520-03141	Collar Kit (In Item 1)	1
14	52003247	In Shield Tube Round	1	29	79203403	Reinforcing Collar	1
15	52003233	CV Cone & Bearing Assembly	1				
	52003244	CV Cone & Bearing Assembly (With Flex Net)					

HINIKER AR-2000 SHREDDER

SECTION
1

1 3/4-20 1000 RPM CV PTO

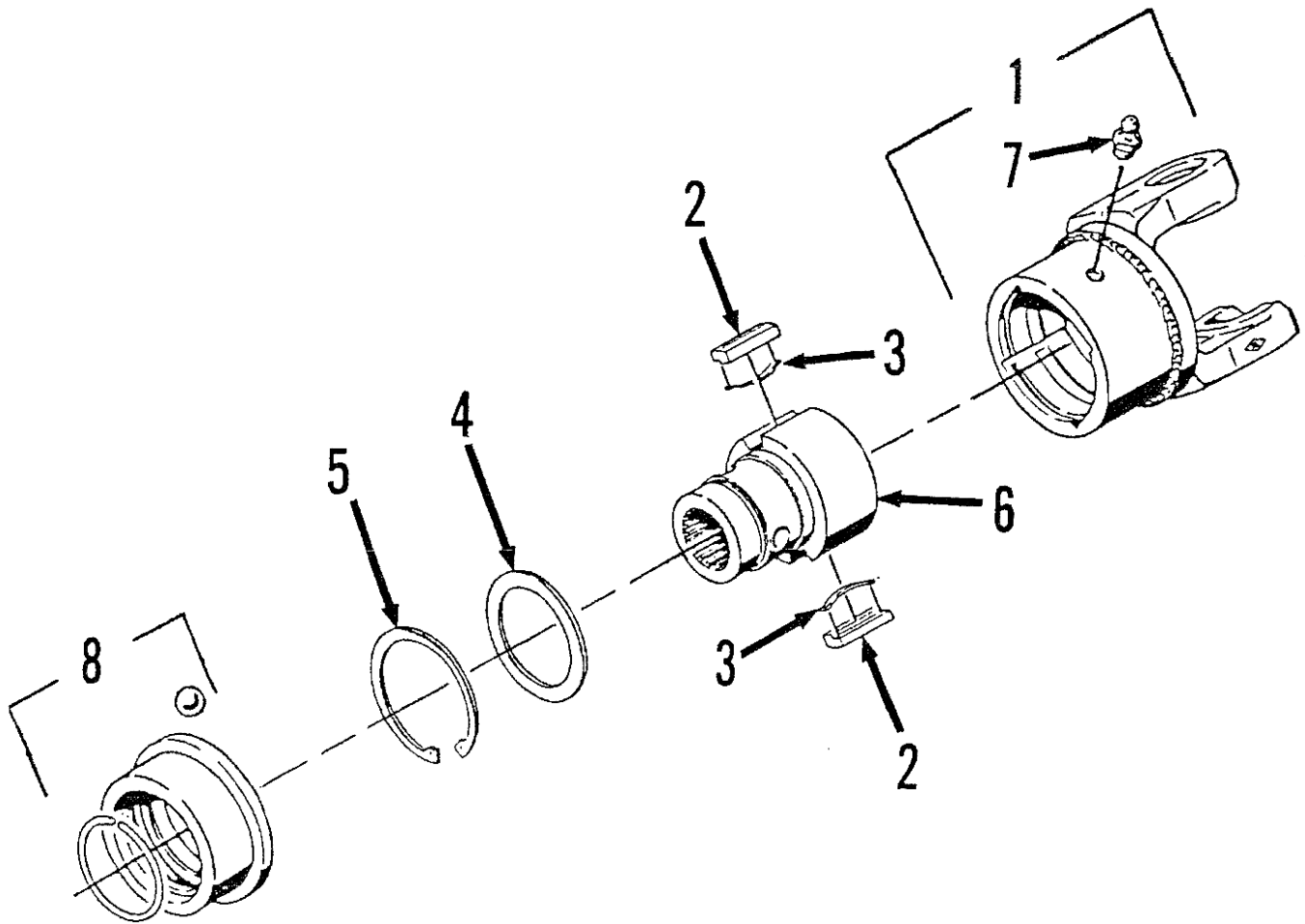


79202277 PTO 1 3/4-20 GKN 396073

DWG. NO. 5937

REF. NO.	PART NUMBER	DESCRIPTION	QTY.	REF. NO.	PART NUMBER	DESCRIPTION	QTY.
1	520-03143	Yoke, 1 3/4-20 Spline	1	16	52003234	Shield Cone 4 Rib	1
2	520-03120	Double Yoke	1		52003245	Flex Net & Guard Assembly	1
3	520-03121	Grease Zerk	1	17	52003235	Shield Cone 7 Rib	1
4	52003230	Inboard Yoke S4	1	18	520-03135	Screw	10
5	520-03123	Cross & Bearing Kit	1	19	520-03136	Support Bearing	1
6	520-03124	Spring Pin 10 x 90	1	20	520-03137	Safety Chain	1
7	520-03144	Inner Profile	1	21	520-03138	Outer Decal	1
8	520-03176	Profile & Sleeve Weldment	1	22	520-03139	Inner Decal	1
9	520-03127	Inboard Yoke S5	1	23	520-03140	Grease Zerk	1
10	520-03118	Overrunning Clutch (See Section 1, Page 8)	1	24	52003236	Lubrication Decal	1
11	79203243	Cross & Bearing Kit	1	25	52003237	Cross & Bearing Kit	1
12	520-03129	Bearing Ring	2	26	52003242	Spring Pin 10 x 75	1
13	52003246	Out Shield Tube Oval	1	27	520-03142	Collar Kit	2
14	52003247	Inn Shield Tube Round	1	28	79203403	Reinforcing Collar	1
15	52003233	CV Cone & Bearing Assembly	1				
	52003244	CV Cone & Bearing Assembly (With Flex Net)	1				

OVERRUNNING CLUTCH 1000 RPM



520-03118 Overrunnig Clutch

DWG. NO. 2512

REF. NO.	PART NUMBER	DESCRIPTION	QTY.	REF. NO.	PART NUMBER	DESCRIPTION	QTY.
1	520-03146	Clutch Housing	1	6	520-03151	Hub, 1 3/4 - 20 Spline	1
2	520-03147	Key	2	7	520-03121	Grease Zerk	1
3	520-03148	Leaf Spring	2	8	520-03142	Collar Kit	1
4	520-03149	Supporting Ring	2		520-03118	Complete Overrunning Clutch Assembly	
5	520-03150	Retaining Ring	1				

SECTION 2

GEARBOX

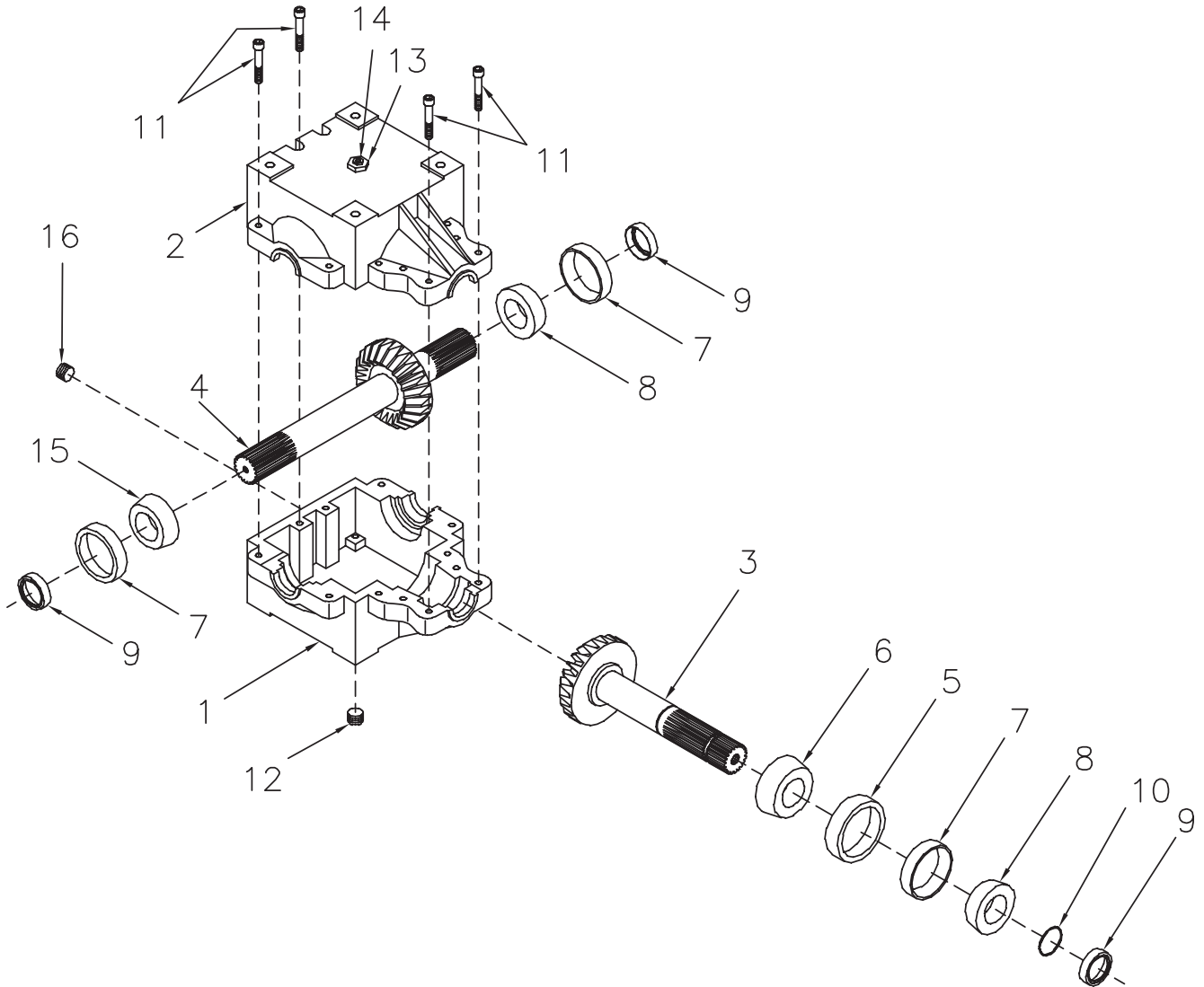
PAGE 2

GEARBOX ASSEMBLY, 1000 RPM

HINIKER AR-2000 SHREDDER

GEARBOX ASSEMBLY, 1000 RPM

2



51700216 1000 RPM Gear Box Assembly

DWG. NO. 5938

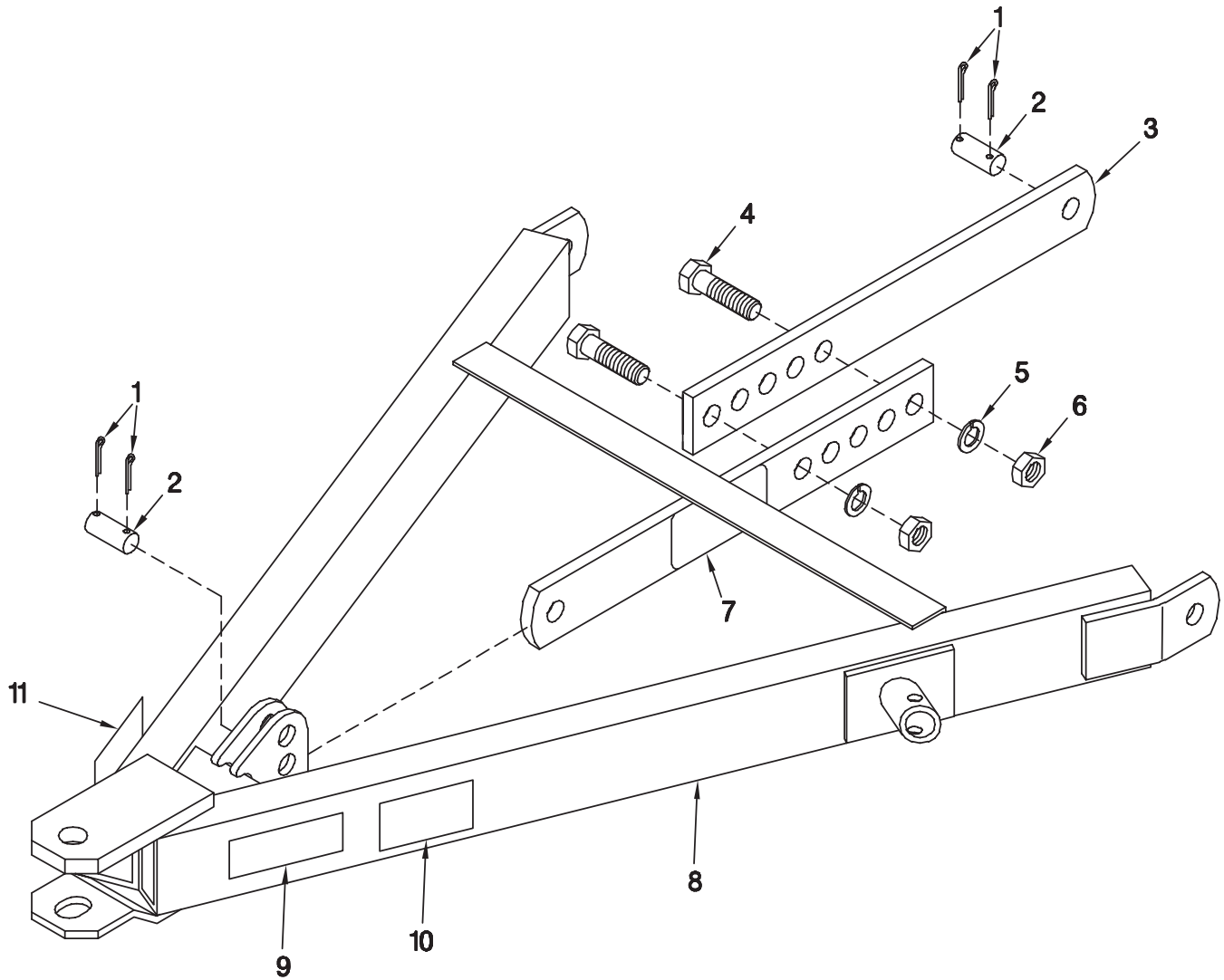
REF. NO.	PART NUMBER	DESCRIPTION	QTY.	REF. NO.	PART NUMBER	DESCRIPTION	QTY.
1	400-17205	Casting (Tapped Holes)	1	10	702-05093	Retaining Ring (1 3/4 Shaft)	1
2	400-17206	Casting (Thru Holes)	1	11	950-011-032	Socket Head Cap Screw 3/8-16 x 2 1/4	12
3	50106488	Pinion Shaft/Gear	1	12	203-51156	Plug, 1/2 NPT Socket Head Hex	1
4	50106489	Cross Shaft/Gear	1	13	203-51074	Bushing, 1/2 NPT - 1/8 NPT	1
5	601-05002	Bearing Cup (Large) #3720	1	14	203-50308	Pressure Relief	1
6	601-02075	Bearing Cone (Large) #3782	1	15	601-02001	Cone Timken #25580	1
7	601-05001	Bearing Cup (Small) #25520	3	16	79201412	Plug 1/4 NPT	1
8	601-03003	Bearing Cone (Small) #25581	2		51700216	Gearbox Assembly	
9	650-06056	Seal (1 3/4 Shaft)	3				

SECTION 3 HITCH ASSEMBLIES

PAGE 2	TRAIL HITCH ASSEMBLY
PAGE 3	3 - POINT HITCH ASSEMBLY
PAGE 4	TRAIL HITCH ASSEMBLY 30 FT.

TRAIL HITCH ASSEMBLY

SEC
3



79201775 Trail Hitch Assembly

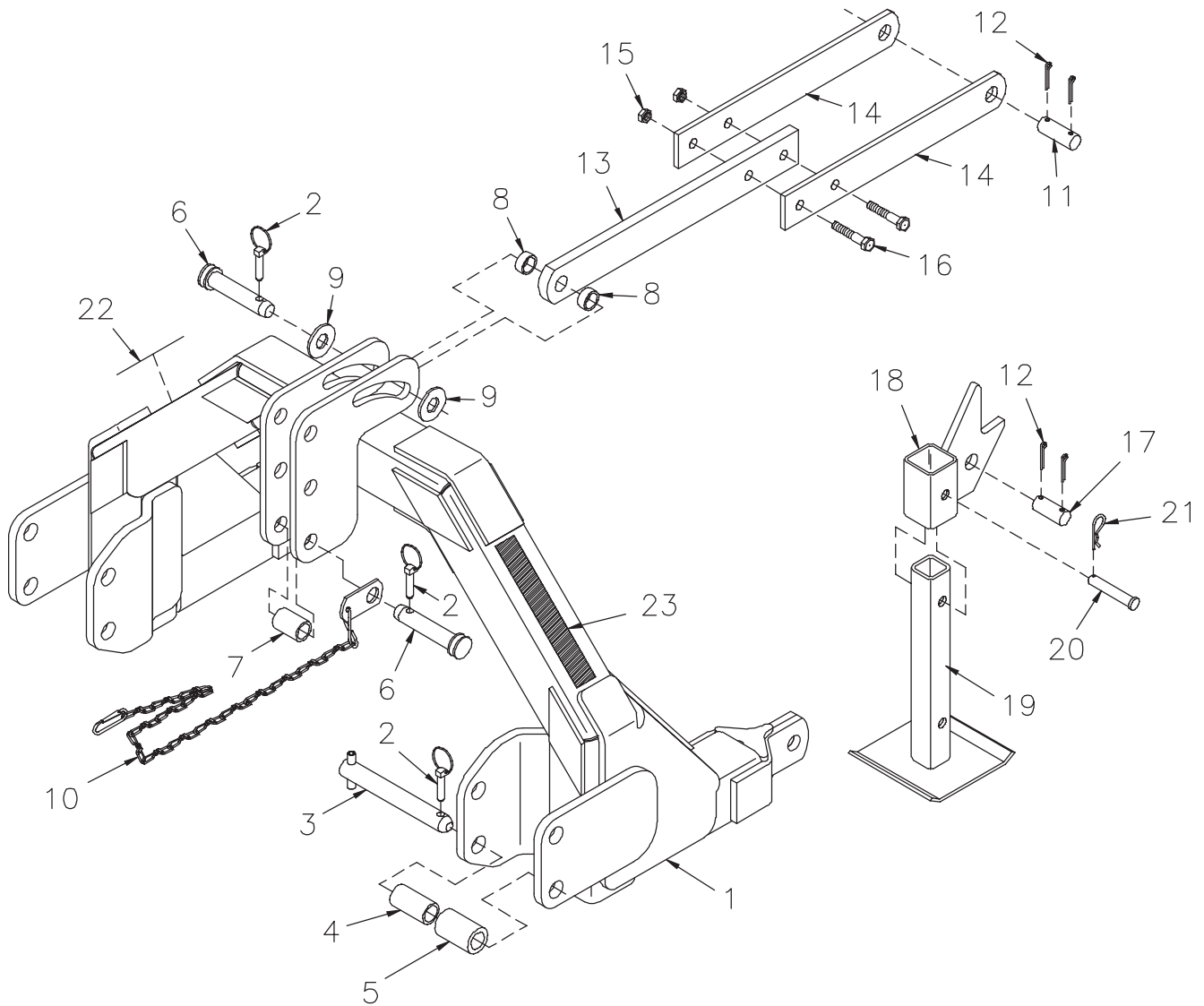
DWG. NO. 3174

REF. NO.	PART NUMBER	DESCRIPTION	QTY.	REF. NO.	PART NUMBER	DESCRIPTION	QTY.
1	035-42065	Cotter Pin, 1/4 x 1 3/4	4	7	71505172	Decal, "Warning"	1
2	79200993	Hitch Pin	2	8	79201776	Hitch Assembly	1
3	79201772	Bar Level	2	9	850-001-285	Tape-Yellow Reflector	1
4	031-06459	Hex Head Cap Screw 1-8 x 3 Gr. 5	2	10	85501787	Decal, "Caution"	1
5	952-001-009	Lock Washer 1 Inch	2	11	850-001-305	Tape-Red Reflector	1
6	951-001-011	Hex Nut 1-8	2				

HINIKER AR-2000 SHREDDER

3-POINT HITCH ASSEMBLY NOT AVAILABLE ON 30 FT. MACHINE

SEC
3



79203325 3-Point Hitch Assembly

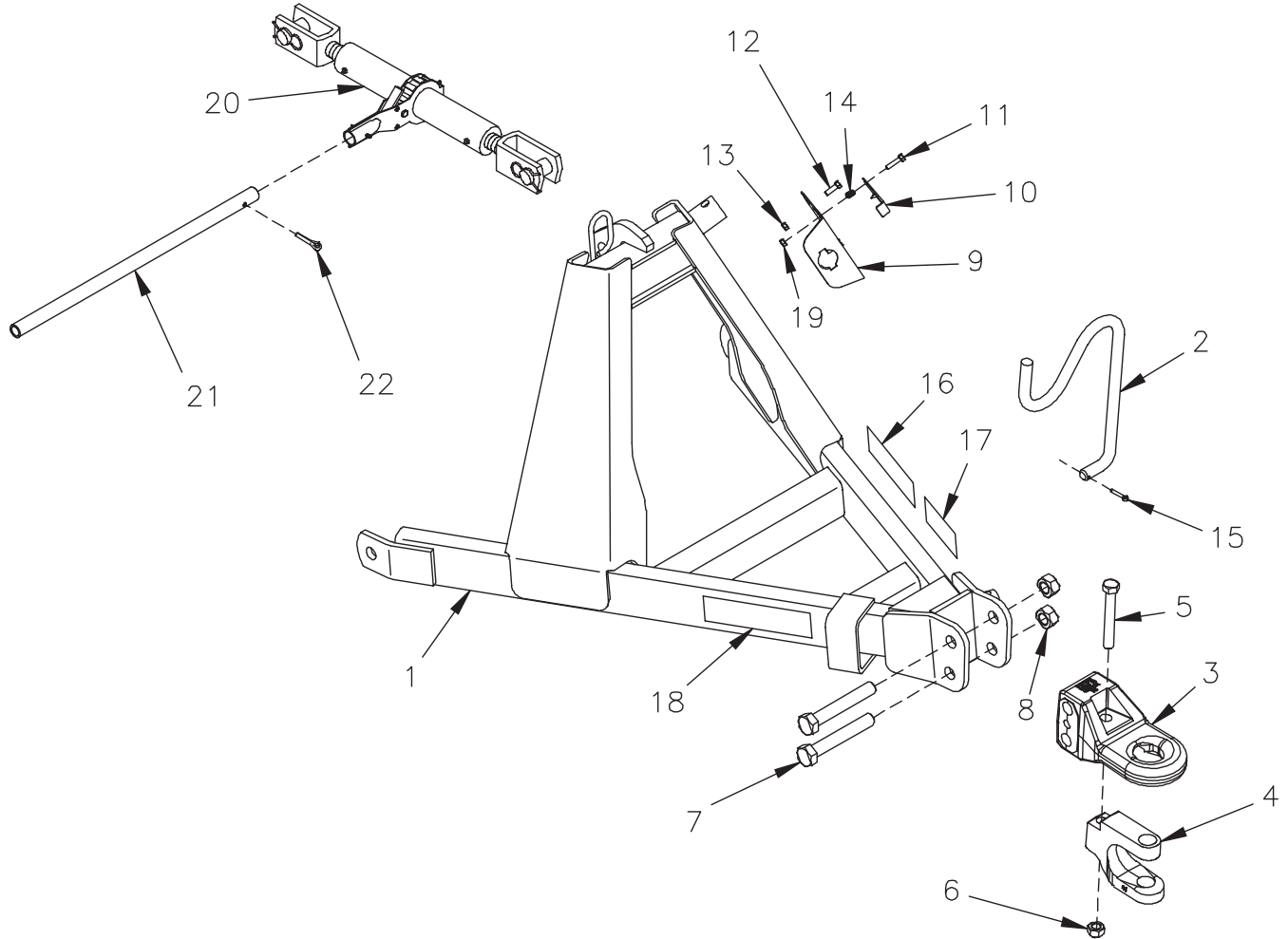
DWG. NO. 2494A

REF. NO.	PART NUMBER	DESCRIPTION	QTY.	REF. NO.	PART NUMBER	DESCRIPTION	QTY.
1	79203326	3-Point Hitch Weldment	1	13	79200880	Top Link	1
2	25010319	Klik Pin	4	14	79200881	Link	2
3	79203173	Lower Pin Assembly	2	15	034-05172	Stover Lock Nut 5/8-11	2
4	117-010-008	Small Spacer	2	16	950-001-147	Hex Head Cap Screw 5/8-11 x 2 1/2 Gr. 5	2
5	117-010-009	Larger Spacer	2	17	79200993	Lower Trail Hitch Pin	1
6	875-001-123	Top Link Pin	2	18	79201083	Stand Mount Weldment	1
7	890-001-009	Spacer	1	19	79201081	Stand Tube Weldment	1
8	79200965	Spacer Collar	2	20	953-002-021	Clevis Pin 5/8 x 3 1/2	1
9	952-002-010	Flat Washer 1 Inch	2	21	953-005-001	Cotter Pin .120 x 2 3/8	1
10	79200990	PTO Chain Assembly	1	22	850-001-305	Tape Red Reflector (Side Opposite)	1
11	79200964	Center Link Pin	1	23	850-001-285	Tape Yellow Reflector	1
12	035-42064	Cotter Pin 1/4 x 1 1/2	4		79203325	Complete 3-Point Hitch Assembly	

HINIKER AR-2000 SHREDDER

TRAIL HITCH ASSEMBLY 30 FT.

SEC 3



79203546 Trail Hitch Assembly 30 FT.

DWG. NO. 6891

REF. NO.	PART NUMBER	DESCRIPTION	QTY.	REF. NO.	PART NUMBER	DESCRIPTION	QTY.
1	79203529	Trail Hitch Weldment, 30 Ft AR	1	12	950-002-009	Hex Head Flange Bolt 3/8-16 x 1	2
2	79203545	PTO Shaft Holder	1	13	951-005-003	Lock Nut 3/8-16 Mac Loc	2
3	85501527	Hitch CTD PPI-331-VH	1	14	79203444	Compression Spring	1
4	85501526	Double Clevis 1 3/8	1	15	953-001-007	Cotter Pin 3/16 x 1 1/2 EP Square Cut	1
5	950-001-192	Hex Head Cap Screw 3/4-10 x 5 1/2 Gr. 5	1	16	850-001-285	Tape-Yellow Reflector	1
6	951-003-010	Nut-Nylon Insert 3/4-10	1	17	85501787	Decal Caution	1
7	950-001-121	Hex Head Cap Screw 1-8 x 6 1/2 Gr. 8	2	18	850-001-305	Tape-Red Reflector	1
8	062041	Nut-Nylon Insert 1"	2	19	951-005-064	Lock Nut 5/16-18, 2-Way	1
9	79202638	Mount Plate	1	20	000-04067	Ratchet Jack Assembly	1
10	79203434	Hose Stop	1	21	79203583	Handle Extension	1
11	950-001-200	Hex Head Cap Screw 5/16-18 x 1 1/4 Gr. 5	1	22	953-001-010	1/4 x 1 1/2 EP Square Cut	1

SECTION 4

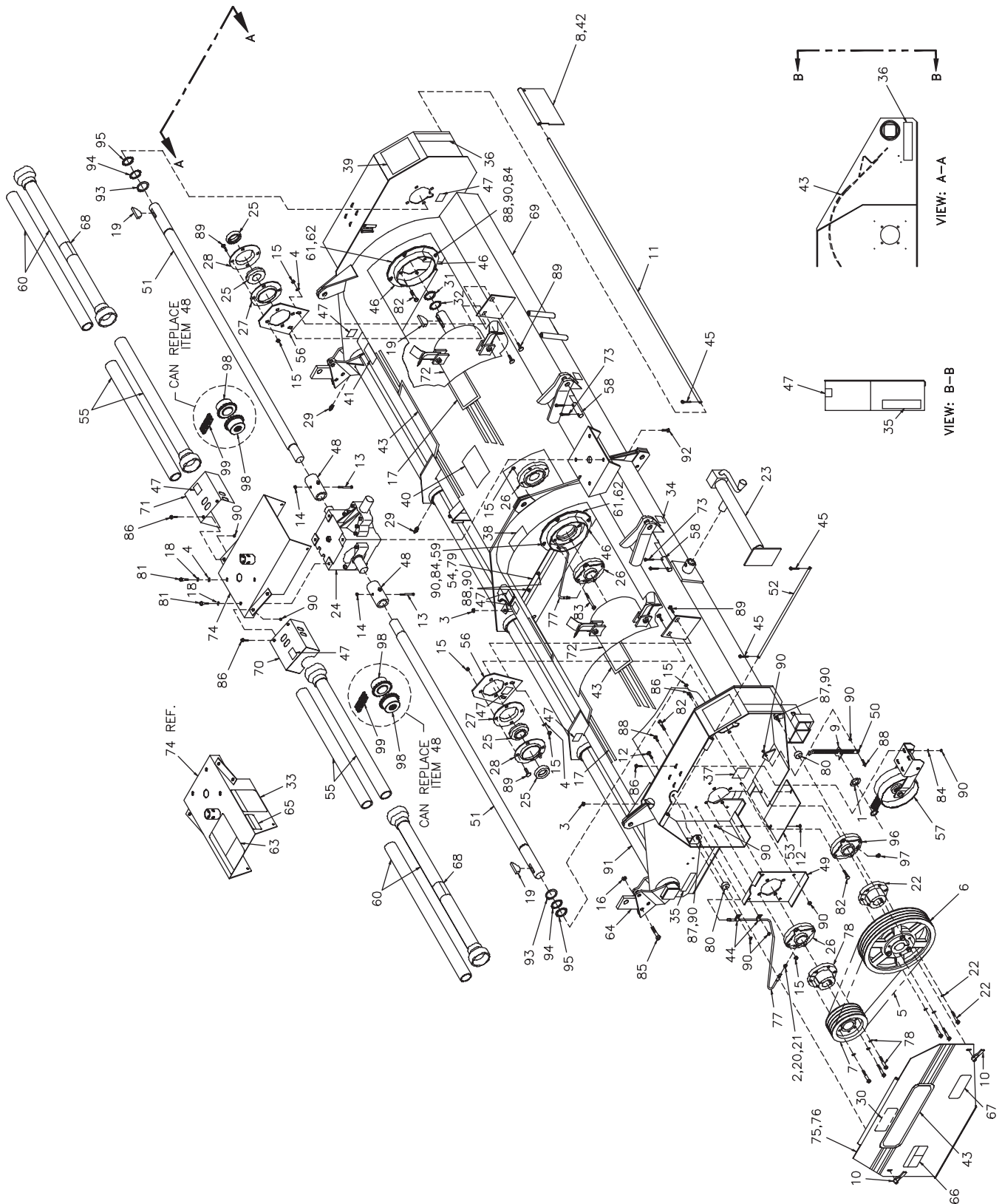
BODY ASSEMBLIES

PAGE 2	15, 18, & 20 FT. BODY ASSEMBLY
PAGE 4	25 FT. BODY ASSEMBLY
PAGE 6	30 FT. BODY ASSEMBLY
PAGE 8	ROTOR BEARING 2 3/16" SHAFT

HINIKER AR-2000 SHREDDER

15, 18, & 20 FT BODY ASSEMBLY

SECTION 4



DWG. NO.5945

HINIKER AR-2000 SHREDDER

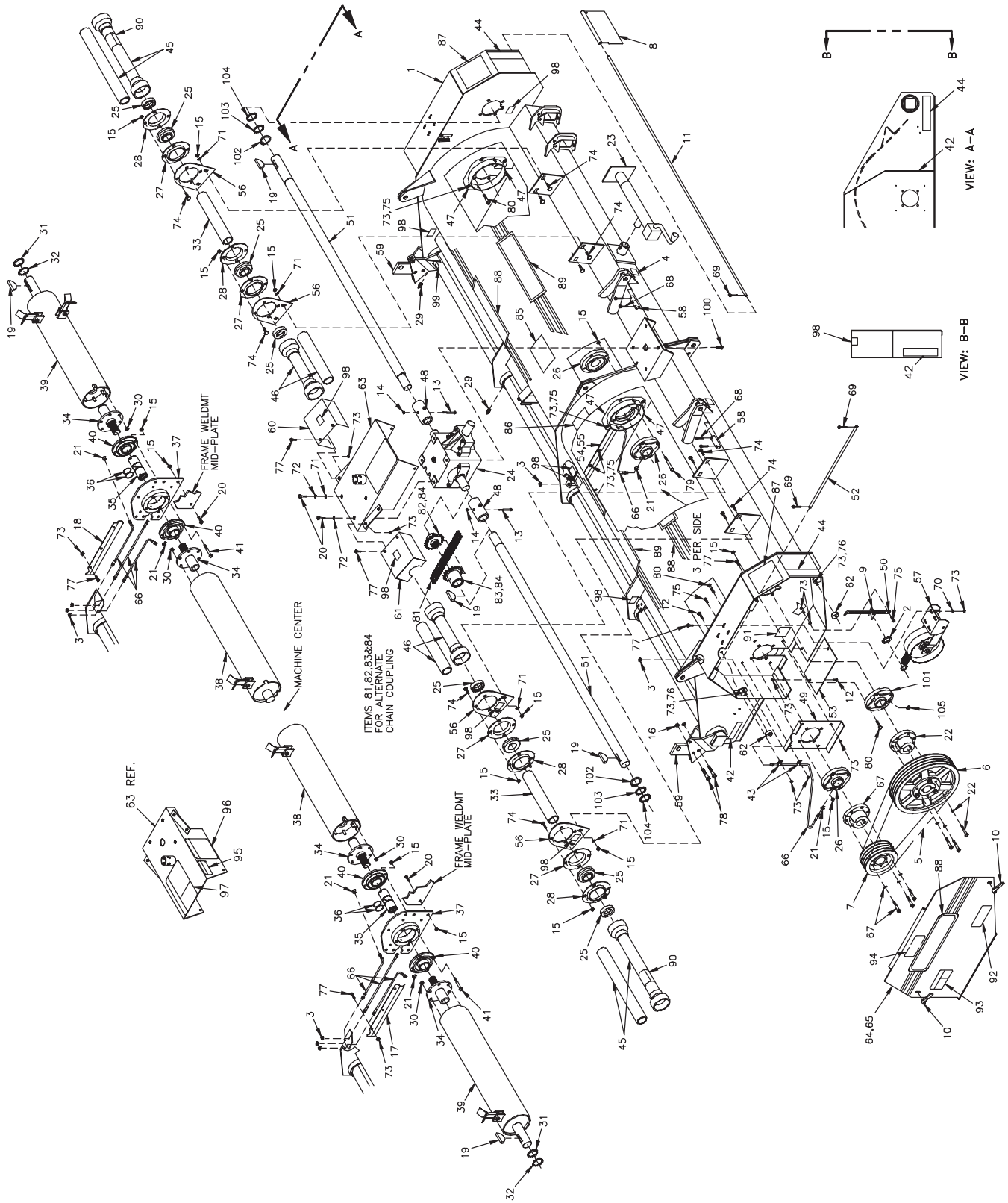
REF. NO.	PART NUMBER	DESCRIPTION	QTY.	REF. NO.	PART NUMBER	DESCRIPTION	QTY.
1	000-20179	1 3/8 Machinery Bushing	2	56	79201758	Bearing Support	2
2	000-20192	Adapter Fitting 1/4-28 To 1/8 NPT	A/R	57	79202302	Belt Idler Assembly	2
3	000-24063	Lock Nut	4	58	79200967	Lower Hitch Pin	2
4	952-004-067	Flat Washer 1/2 Inch SAE	5	59	950-002-029	Hex Head Flanged Whiz Lock Bolt 3/8-16 x 2	4
5	79202321	V-Belt 4 Rib Banded	2	60	79201793	Outer Shield Assembly (15 Ft Shredder) (W/Reducer Ends)	2
6	79202320	Sheave 5VL 15" Diameter	2		79203718	Outer Shield Assembly (15 Ft Shredder) (WO/Reducer Ends)	2
7	79202318	Cylinder Sheave 5VL 7 1/2" Diameter	2		79201817	Outer Shield Assembly (18 Ft Shredder) (W/Reducer Ends)	2
8	000-64011	Shield Plate	A/R		79203504	Outer Shield Assembly (18 Ft Shredder) (WO/Reducer Ends)	2
9	000-65186	Spring Anchor	2		79201819	Outer Shield Assembly (20 Ft Shredder) (W/Reducer Ends)	2
10	000-65223	Threaded Handle	4		78204114	Outer Shield Assembly (20 Ft Shredder) (WO/Reducer Ends)	2
11	79200976	Flipper Shield Rod (15 Ft Shredder)	2	61	79202331	Shield Spacer 1/16"	A/R
	79201071	Flipper Shield Rod (18 Ft Shredder)	2	62	79202330	Shield Spacer 1/8"	A/R
	000-65627	Flipper Shield Rod (20 Ft Shredder)	2	63	71504132	Warning Decal	1
12	950-003-054	Carriage Bolt 3/8-16 x 3/4 Short Shank Gr. 5	6	64	79201780	Cylinder Lug	A/R
13	950-001-013	Hex Head Cap Screw 3/8-16 x 3 Gr. 8	2	65	71504129	Caution Decal	1
14	034-05168	Lock Nut 3/8-16 Uni-Torque	2	66	71505169	Warning Decal	2
15	034-05170	Lock Nut 1/2-13 Uni-Torque	32	67	79202299	AR-2000 Decal	2
16	034-05172	Lock Nut 5/8-11 Uni-Torque	16	68	520-03138	Outer Decal	2
17	79202337	"AR-2000" Decal	2	69	79203250	15' AR-2000 Body Weldment	1
18	952-001-004	Lock Washer 1/2 Inch	A/R		79202336	18' AR-2000 Body Weldment	1
19	035-60063	1/2 x 2 3/4 Woodruff Key	4		79202335	20' AR-2000 Body Weldment	1
20	203-51251	45° Elbow Lube Line 1/4-28 To 1/8 NPT	A/R	70	79201779	RH Line Shield	1
21	203-51254	45° Elbow 1/8 NPT To 1/8 NPT	A/R	71	79201778	LH Line Shield	1
22	400-27039	Q.D. Hub Type "E" 2" Bore	2	72	79203249	Rotor Assembly 5/16 Knife (15 Ft Shredder)	2
23	400-34074	Jack	1		79203195	Rotor Assembly 5/16 Knife (18 Ft Shredder)	2
24	51700216	1000 RPM Gearbox Assembly	1		79203196	Rotor Assembly 5/16 Knife (20 Ft Shredder)	2
25	79203223	2" Spherical Bearing W/Lock Collar	A/R	73	953-001-010	Square Cut Cotter Pin 1/4 x 1 1/2	4
26		Flange Bearing 2 3/16" Shaft (See Page 8, Sec 4)	A/R	74	79201037	Shield Assembly 1000 Rpm	1
27	60400524	Relube Flange W/O Fitting	A/R	75	79202304	RH Cover Assembly	1
28	60400525	Relube Flange W/Fitting	A/R	76	79202303	LH Cover Assembly	1
29	203-50003	Zerk 1/4-28 NPT Straight	5	77	79202316	Grease Hose 27 1/2"	4
30	71505170	Warning Decal	1	78	79202301	QD Hub SF Type 2 3/16	2
31	79202329	Washer 2 3/16 x 10 Ga	3	79	79202293	Hose Shield LH	1
32	79202328	Washer 2 3/16 x 16 Ga	5	80	79201120	Shield Bumper	4
33	71504133	Important Decal	1	81	950-001-111	Hex Head Cap Screw 1/2-13 x 1 1/4 Gr. 5	A/R
34	715-03174	Lift Here Decal	2	82	950-001-112	Hex Head Cap Screw 1/2-13 x 2 Gr. 5	A/R
35	850-001-305	Tape-Red Reflector	3	83	950-001-301	Hex Head Cap Screw 1/2-13 x 4 1/4 Gr. 5	4
36	850-001-285	Tape-Yellow Reflector	3	84	952-003-006	Flat Washer 3/8 Inch SAE	48
37	79203023	Belt Tension Decal	2	85	950-001-024	Hex Head Cap Screw 5/8-11 x 2 1/2 Gr. 8	6
38	71504126	Important Decal	1	86	950-002-009	Hex Head Flanged Whiz Lock Bolt 3/8-16 x 1	26
39	71505171	Warning Decal	2	87	950-002-010	Hex Head Flanged Whiz Lock Bolt 3/8-16 x 1 1/2	4
40	71504131	Danger Decal	1	88	950-002-014	Hex Head Flanged Whiz Lock Bolt 3/8-16 x 1 1/4	12
41	71504136	Important Decal	2	89	950-003-028	Carriage Bolt 1/2-13 x 1 1/4	A/R
42	79202341	End Flipper Shield (18 Ft Shredder)	2	90	951-005-003	Mac Lock Nut 3/8-16	52
	79202325	End Flipper Shield (20 Ft Shredder)	2	91	79201213	Rockshaft Repair Kit 15 Ft.	1
43	71505168	"Hiniker" Decal	4		79201218	Rockshaft Repair Kit 18 Ft.	1
44	720-02399	3/8 Cable Clamp	4		79201216	Rockshaft Repair Kit 20 Ft.	1
45	953-001-002	Square Cut Cotter Pin 1/8 x 1"	6	92	950-002-013	Whiz Lock Bolt 1/2-13 x 1 1/2 Gr. 5	4
46	79203077	Rotor Guard Weldment	8	93	79203951	External Snap Ring 2" Heavy Duty	2
47	79203259	Grease Decal	A/R	94	710-05332	Shim Washer 2" 10 Ga. (.135)	A/R
48	79200836	Splined Coupling W/Fitting	2	95	710-05333	Shim Washer 2" 16 Ga. (.060)	A/R
49	79200860	Bearing Support	2	96	79203218	Flanged Bearing 2"	2
50	79200866	Take-Up Bar	2	97	955-001-010	Grease Zerk 1/8-27 90°	2
51	79200911	15' Solid Line Shaft (15 Ft Shredder)	2	98	79203969	Chain Coupling Weldment	4
	79200913	18' Solid Line Shaft (18 Ft Shredder)	2	99	79203966	#60 Chain Double Coupling	2
	79200914	20' Solid Line Shaft (20 Ft Shredder)	2				
52	79200920	Shield Rod	2				
53	79200923	Bottom Cover (7" Wide Drive Shield)	2				
	79203377	Bottom Cover (8" Wide Drive Shield)	2				
54	79202287	Hose Shield RH (Shown)	1				
55	79201794	Inside Shield Assembly (15 Ft Shredder) (W/Reducer Ends)	2				
	79204112	Inside Shield Assembly (15 Ft Shredder) (WO/Reducer Ends)	2				
	79201818	Inside Shield Assembly (18 Ft Shredder) (W/Reducer Ends)	2				
	79204120	Inside Shield Assembly (18 Ft Shredder) (WO/Reducer Ends)	2				
	79201820	Inside Shield Assembly (20 Ft Shredder) (W/Reducer Ends)	2				
	79204113	Inside Shield Assembly (20 Ft Shredder) (WO/Reducer Ends)	2				

SEC 4

HINIKER AR-2000 SHREDDER

25 FT BODY ASSEMBLY

4



DWG. NO.6458

HINIKER AR-2000 SHREDDER

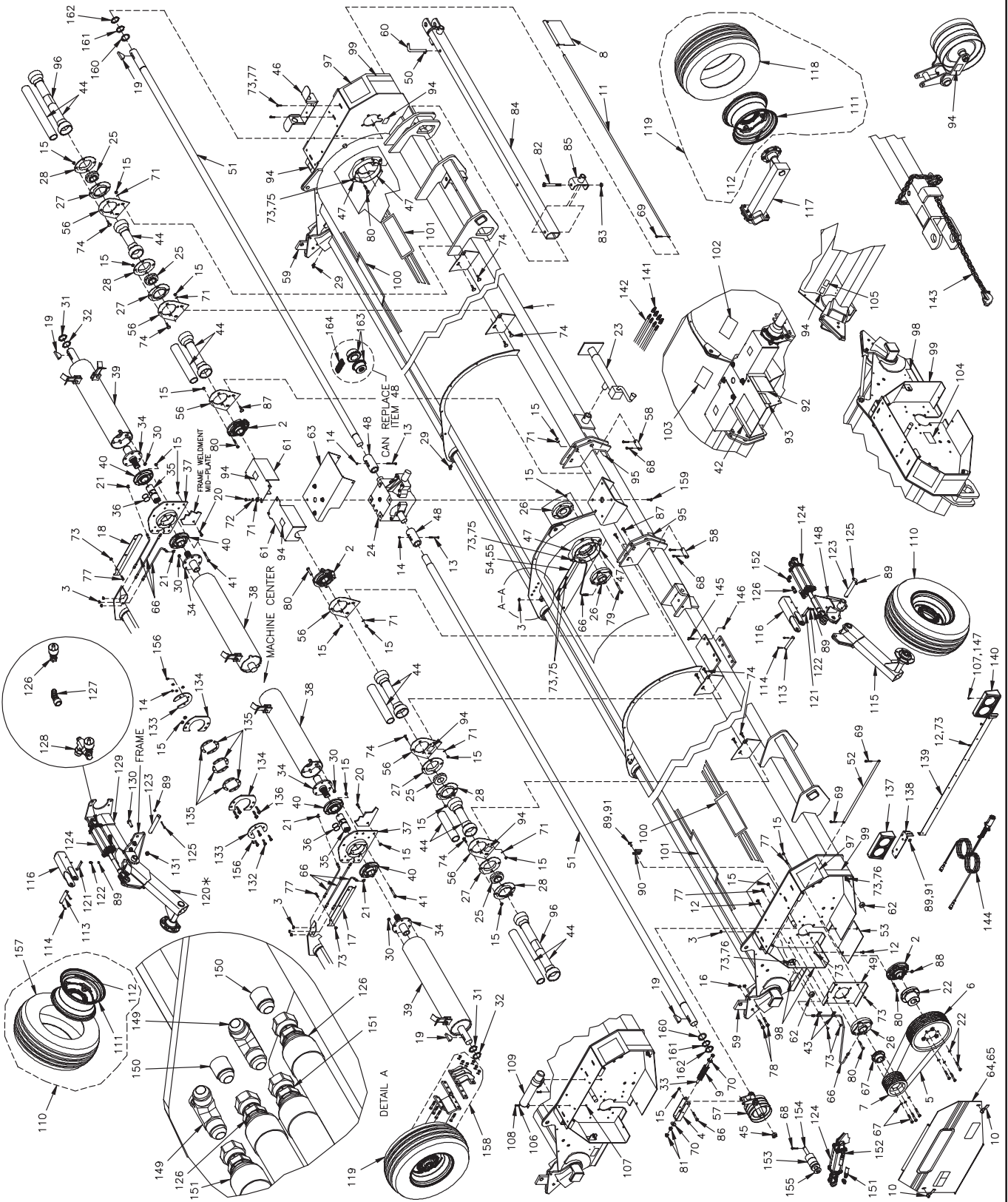
REF. NO.	PART NUMBER	DESCRIPTION	QTY.	REF. NO.	PART NUMBER	DESCRIPTION	QTY.
1	79203071	Housing Weldment 25'	1	53	79200923	Bottom Cover (7" Wide Drive Shield)	2
2	000-20179	1 3/8 Machinery Bushing	2		79203377	Bottom Cover (8" Wide Drive Shield)	2
3	000-24063	Lock Nut	10	54	79202287	Hose Shield RH (Shown)	1
4	715-03174	Lift Here Decal	2	55	79202293	Hose Shield LH	1
5	79202936	V-Belt 5 Rib Banded	2	56	79201758	Bearing Support	4
6	79202965	Sheave 5 Groove 15 OD	2	57	79203079	Idler Assembly	2
7	79202966	Cylinder Sheave 5 Groove 7.5 OD	2	58	79200967	Lower Hitch Pin	2
8	000-64011	Shield Plate	30	59	79201780	Cylinder Lug	2
9	000-65186	Spring Anchor	2	60	79201778	LH Line Shield	1
10	000-65223	Threaded Handle	4	61	79201779	RH Line Shield	1
11	79203081	Rod 25'	2	62	79201120	Shield Bumper	4
12	950-003-054	Carriage Bolt 3/8-16 x 3/4 Gr. 5	6	63	79201037	Shield Assembly 1000 Rpm	1
13	950-001-013	Hex Head Cap Screw 3/8-16 x 3 Gr. 8	2	64	79202304	RH Cover Assembly	1
14	034-05168	Lock Nut 3/8-16 Uni-Torque	2	65	79202303	LH Cover Assembly	1
15	034-05170	Lock Nut 1/2-13 Uni-Torque	66	66	79202316	Grease Hose 27 1/2"	10
16	034-05172	Lock Nut 5/8-11 Uni-Torque	4	67	79202301	QD Hub SF Type 2 3/16	2
17	79203082	RH Bracket Guard	1	68	953-001-010	1/4 x 1 1/2 Square Cut Cotter Pin	4
18	79203083	LH Bracket Guard	1	69	953-001-002	1/8 x 1" Square Cut Cotter Pin	6
19	035-60063	1/2 x 2 3/4 Woodruff Key	4	70	952-003-006	Flat Washer 3/8 Inch SAE	8
20	950-001-111	Hex Head Cap Screw 1/2-13 x 1 1/4 Gr. 5	A/R	71	952-004-067	Standard Flat Washer 1/2 Inch Hardened	9
21	203-51254	45° Elbow 1/8 NPT To 1/8 NPT	A/R	72	952-001-004	Lock Washer 1/2 Inch	A/R
22	400-27039	Q.D. Hub Type "E" 2" Bore	2	73	951-005-003	Mac Lock Nut 3/8-16	49
23	400-34074	Jack	1	74	950-003-028	Carriage Bolt 1/2-13 x 1 1/4	A/R
24	51700216	1000 RPM Gearbox Assembly	1	75	950-002-014	Hex Head Flanged Whiz Lock Bolt 3/8-16 x 1 1/4	17
25	79203223	2" Spherical Bearing	A/R	76	950-002-010	Hex Head Flanged Whiz Lock Bolt 3/8-16 x 1 1/2	4
26		Flange Bearing 2 3/16" Shaft (See Page 8 Sec 4)	A/R	77	950-002-009	Hex Head Flanged Whiz Lock Bolt 3/8-16 x 1	24
27	60400524	Relube Flange W/O Fitting	A/R	78	950-001-024	Hex Head Cap Screw 5/8-11 x 2 1/2 Gr. 8	4
28	60400525	Relube Flange W/Fitting	A/R	79	950-001-301	Hex Head Cap Screw 1/2-13 x 4 1/4 Gr. 5	4
29	203-50003	Zerk 1/4-28 NPT Straight	5	80	950-001-112	Hex Head Cap Screw 1/2-13 x 2 Gr. 5	A/R
30	951-003-004	Lock Nut 1/2-20 Fine Thread, Nylon	24	81	79203105	Chain Coupling	2
31	79202329	Washer 2 3/16 x 16 Ga	A/R	82	79203111	Coupling 1 3/4 Spline Weldment, Hardened	2
32	79202328	Washer 2 3/16 x 10 Ga	A/R	83	79203112	2" Shaft Coupling Weldment, Hardened	2
33	79203080	Mid Shield 25'	2	84	950-008-001	Socket Head Set Screw 3/8-16 x 3/8 Knurled Cup	4
34	79202889	Rotor Shaft Weldment	4	85	71504126	Important Decal	1
35	79202868	Coupler, Case Hardened	2	86	71504131	Danger Decal	1
36	394-002-115	O-Ring	4	87	71505171	Warning Decal	2
37	79203086	Bearing Support Plate Weldment	2	88	71505168	Hiniker Decal	4
38	79203084	Rotor Assembly 5" Balanced	2	89	79202337	"AR-2000" Decal	2
39	79203085	Rotor Assembly 7" Balanced	2	90	520-03138	Outer Decal	2
40	79202803	Flange Bearing 2 7/16 Shaft	4	91	79203023	Belt Tension Decal	2
41	950-001-284	Hex Head Cap Screw 1/2-13 x 4 3/4 Gr. 5	8	92	79202299	AR-2000 Decal	2
42	850-001-305	Tape-Red Reflector	3	93	71505169	Warning Decal	2
43	720-02399	3/8 Cable Clamp	4	94	71505170	Warning Decal	2
44	850-001-285	Tape-Yellow Reflector	3	95	71504129	Caution Decal	1
45	79201819	Outside Shield Assembly (W/Reducer Ends)	2	96	71504133	Important Decal	1
	79204114	Outside Shield Assembly (WO/Reducer Ends)	2	97	71504132	Warning Decal	1
46	79203076	Inside Shield Assembly (W/Reducer Ends)	2	98	79203259	Grease Decal	A/R
	79204117	Inside Shield Assembly (WO/Reducer Ends)	2	99	71504136	Important Decal	2
47	79203077	Rotor Guard Weldment	16	100	950-002-013	Hex Head Flanged Whiz Lock Bolt 1/2-13 x 1 1/2 Gr. 5	4
48	79200836	Splined Coupler W/Fittings	2	101	79203218	Flange Bearing 2" Shaft	2
49	79200860	Bearing Support	2	102	79203951	External Snap Ring 2" Heavy Duty	2
50	79200866	Take-Up Bar	2	103	710-05332	Shim Washer 2" 10 Ga. (.135)	A/R
51	79203078	25' Splined Line Shaft	2	104	710-05333	Shim Washer 2" 16 Ga. (.060)	A/R
	79203115	25' Shaft (Keyway Both Ends)	2	105	955-001-010	Grease Zerk 1/8-27 x 90°	2
52	79200920	Shield Rod	2				

SEC 4

HINIKER AR-2000 SHREDDER

30 FT BODY ASSEMBLY

SECTION 4



* See Section 5, Page 5 For Hub And Bearing Information.

DWG. NO.6894

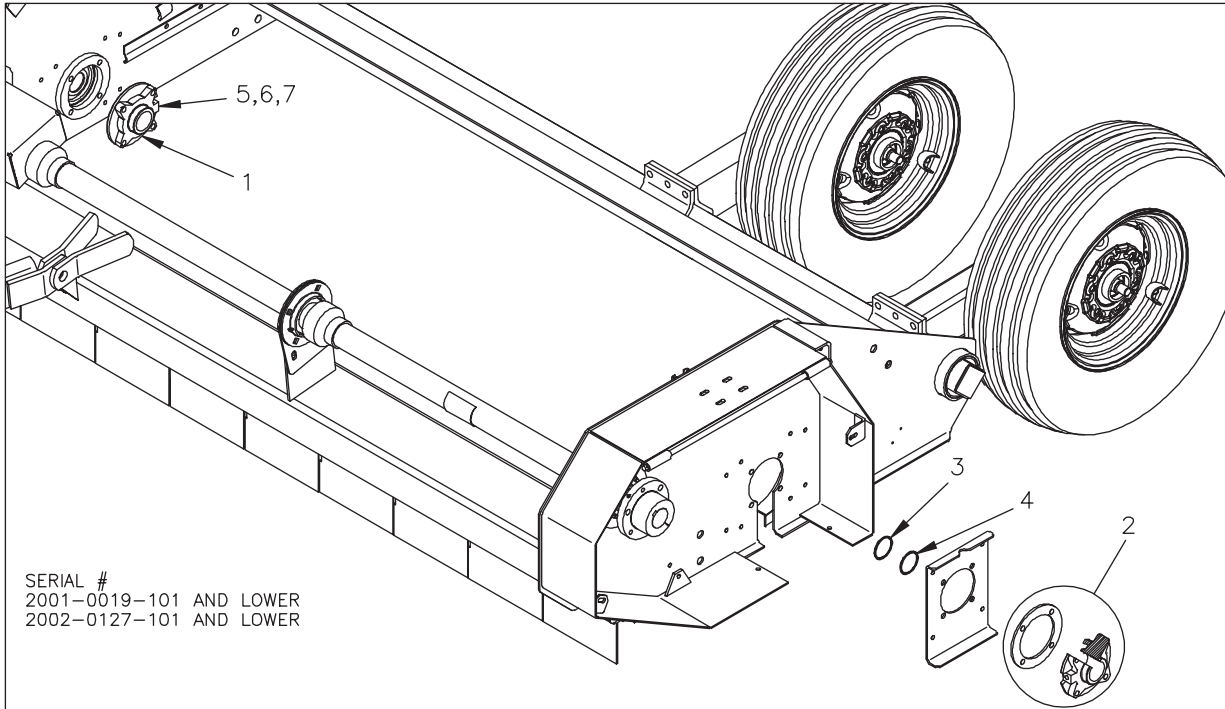
HINIKER AR-2000 SHREDDER

REF. NO.	PART NUMBER	DESCRIPTION	QTY.	REF. NO.	PART NUMBER	DESCRIPTION	QTY.
1	79203482	Body Weldment 30 Ft. AR	1	83	951-003-010	Nut-Nylon Insert 3/4-10	1
2	79203218	Flange Bearing 2" Shaft	4	84	79203576	End Trans Hitch Weldment	1
3	000-24063	Lock Nut, Grease Hose	10	85	79203518	Jack Clevis Weldment	1
4	79203523	Spring Cage Weldment	2	86	031-06212	Hex Head Cap Screw 1/2-13 x 3 1/4 Gr. 5	2
5	79203528	V-Belt Goodyear 6/5VL794	2	87	030-16132	Carriage Bolt 1/2-13 x 1 1/2 Gr. 5	4
6	79203514	Sheave 6 Groove 5V 15 OD	2	88	955-001-010	Grease Fitting 1/8-27 NPT 90°	2
7	79203515	Sheave 6 Groove 5V 7 1/2 OD	2	89	951-005-064	Lock Nut 5/16-18 2-Way	12
8	000-64011	Shield Plate	36	90	400-11027	Bracket	1
9	79203512	Compression Spring	2	91	030-16041	Carriage Bolt 5/16-18 x 3/4 Gr. 5	6
10	000-65223	Threaded Handle	4	92	71504133	Decal Important	1
11	79203503	Flipper Shield Rod	2	93	71504129	Decal Caution	1
12	950-003-054	Carriage Bolt 3/8-16 x 3/4 Gr. 5 SS	8	94	79203259	Decal Grease	23
13	950-001-013	Hex Head Cap Screw 3/8-16 x 3 Gr. 8	2	95	715-03174	Lift Here Decal	2
14	034-05168	Lock Nut 3/8-16 Uni-Torque	6	96	520-03138	Outer Decal	2
15	034-05170	Lock Nut 1/2-13 Uni-Torque	84	97	71505171	Warning Decal	2
16	034-05172	Lock Nut 5/8-11 Uni-Torque	4	98	850-001-305	Tape-Red Reflector	3
17	79203082	RH Bracket Guard	1	99	850-001-285	Tape-Yellow Reflector	3
18	79203083	LH Bracket Guard	1	100	71505168	Hiniker Decal	2
19	035-60063	1/2 x 2 3/4 Woodruff Key	4	101	79202337	AR-2000 Decal	2
20	950-001-111	Hex Head Cap Screw 1/2-13 x 1 1/4 Gr. 5	A/R	102	71504126	Important Decal	1
21	203-51254	45 Degree Elbow	4	103	71504131	Danger Decal	1
22	79203525	QD Bushing Type F 2" Bore	2	104	79203548	Decal Spring Installation	2
23	79203524	Tubular Mount Jack	1	105	71504136	Decal Important	2
24	51700216	1000 RPM Gearbox Assembly	1	106	952-003-010	Flat Washer 1/4 Inch SAE	2
25	79203217	Bearing 2" Spherical	4	107	951-005-089	Nut 1/4-20 2-Way Gr. A	10
26	79203219	Flange Bearing 2 3/16" Shaft	4	108	950-001-233	Hex Head Cap Screw 1/4-20 x 5/8 Gr. 5	2
27	60400524	Relube Flange W/O Fitting	4	109	79203392	Operator Manual Canister	1
28	60400525	Relube Flange W/Fitting	4	110	79203351	Tire & Rim Assembly 9.5L x 15 12 Ply	2
29	203-50000	Zerk 1/4-28 Tapered Thread 45°	5	111	79203368	Rim 8" x 15, 6 Bolt	A/R
30	951-003-004	Lock Nut 1/2-20 Nylon	24	112	850-001-396	Tire Valve	A/R
31	79202329	Washer 2 3/16 x 16 Ga	A/R	113	85501557	Cylinder Pin	2
32	79202328	Washer 2 3/16 x 10 Ga	A/R	114	953-001-007	Pin-Cotter 3/16 x 1 1/2 EP Square Cut	4
33	79203520	Rod Weldment	2	115	79202669	Front Wheel Leg Assembly	1
34	79202889	Rotor Shaft Weldment	4	116	79203419	Cylinder Stop Weldment	2
35	79202868	Coupler, Case Hardened	2	117	79203216	Wheel Leg Assembly W/Hub	2
36	394-002-115	O-Ring #139-70 Buna-N	4	118	850-002-669	9.5L x 15 Tire 8 Ply	A/R
37	79203086	Bearing Support Plate Weldment	2	119	85501537	Tire & Rim Assembly 9.5L 15	6
38	79203084	Rotor Assembly 5' Balanced	2	120	79203507	Rear Wheel Leg Weldment (Does Not Include Hub)	1
39	79203502	Outer Rotor Assembly 10' Balanced	2	121	79203436	Latch	2
40	79202803	Flange Bearing 2 7/16 Shaft	4	122	79203444	Compression Spring	2
41	950-001-284	Hex Head Cap Screw 1/2-13 x 4 3/4 Gr. 5	8	123	79202681	Pin	2
42	71504132	Decal Warning	1	124	79202368	Hydraulic Cylinder 3 x 8	4
43	720-02399	3/8 Cable Clamp	4	125	950-001-097	Hex Head Cap Screw 5/16-18 x 2 1/2 Gr. 5	4
44	79203505	Line Shaft Shield Assembly (W/Reducer Ends)	6	126	957-001-017	Hose Assembly 3/8 x 72"	4
	79204113	Line Shaft Shield Assembly (WO/Reducer Ends)	6	127	956-005-002	Fitting Elbow 90 Degrees	4
45	034-05175	Lock Nut 1-8	2	128	956-007-024	Fitting Tee 3/4 ORB x 9/16 JIC	2
46	79203129	Wire Holder	1	129	79203549	Rear Trans Pivot Weldment	1
47	79203077	Rotor Guard Weldment	16	130	950-001-166	Hex Head Cap Screw 3/4-10 x 2 Gr. 5	3
48	79200836	Splined Coupler W/Fittings	2	131	034-05173	Lock Nut 3/4-10 Uni-Torque Gr. B	3
49	79200860	Bearing Support	2	132	950-001-092	Hex Head Cap Screw 3/8-16 x 1 3/4 Gr. 5	4
50	81004500	Ring	1	133	79203559	Rockshaft Bearing Cap	2
51	79203499	Line Shaft, 30 Ft. AR	2	134	79203511	Bracket Pivot Clamp	2
52	79200920	Shield Rod	2	135	79203560	Bearing Rockshaft End Trans	6
53	79203377	Bottom Cover	2	136	950-001-125	Hex Head Cap Screw 1/2-13 x 1 1/2 Gr. 5	4
54	79202287	Hose Shield RH (Shown)	1	137	36100000	Light, Implement, LH Assembly	1
55	79202293	Hose Shield LH	1	138	79202725	Light Bracket	1
56	79201758	Bearing Support	6	139	79203128	Light Bar	1
57	79203567	Idler Assembly	2	140	36100001	Light, Implement, RH Assembly	1
58	79200967	Lower Hitch Pin	2	141	956-008-036	Connector ISO Male Hydraulic 3/4 ORB	4
59	79201780	Cylinder Lug	2	142	957-028-011	Hose Assembly 3/8 x 150"	4
60	79203516	Hitch Pin, End Trans	1	143	85501539	Safety Chain 10,000 Lbs.	1
61	79203580	Line Shaft Shield	2	144	38809034	Harness Lighting 30' Windrow	1
62	79201120	Shield Bumper	4	145	950-001-132	Hex Head Cap Screw 5/8-11 x 1 3/4 Gr. 5	8
63	79200925	Shield 1000 RPM	1	146	060756	Nut Lock 5/8-11 Nylon Insert	8
64	79202304	RH Cover Assembly	1	147	031-06006	Hex Head Cap Screw 1/4-20 x 1 Gr. 5	8
65	79202303	LH Cover Assembly	1	148	79203378	Front Weldment	1
66	79202316	Grease Hose 27 1/2"	10	149	956-007-023	Fitting Tee Bulkhead 9/16 WC	2
67	79202301	QD Hub SF Type 2 3/16	2	150	956-006-002	Fitting Elbow 90 Degrees Bulkhead	2
68	953-001-010	Cotter Pin 1/4 x 1 1/2 Square Cut	10	151	957-001-035	Hose Assembly 3/8 x 186"	4
69	953-001-002	Cotter Pin 1/8 x 1" Square Cut	8	152	956-005-001	Fitting Elbow 90 Degree 9/16 JIC M x 3/4 ORB	6
70	952-002-007	Flat Washer 5/8	4	153	79203414	Hydraulic Cylinder Control Segments	2
71	952-004-067	Flat Washer 1/2 Standard Hardened	16	154	79203433	Cylinder Pin Extended	2
72	952-001-004	Lock Washer 1/2	A/R	155	952-002-010	Washer Flat 1 WRT	2
73	951-005-003	Lock Nut 3/8-16 Mac Loc	52	156	955-001-002	Grease Fitting 1/4-28	2
74	950-003-028	Carriage Bolt 1/2-13 x 1 1/4	24	157	79203352	Tire 9.5L x 15, 12 Ply	1
75	950-002-014	Hex Head Flange Bolt 3/8-16 x 1 1/4	6	158	79203527	Wheel Leg Assembly 30 Ft. AR	4
76	950-002-010	Hex Head Flange Bolt 3/8-16 x 1 1/2	4	159	950-002-013	Hex Head Flanged Whiz Lock Bolt 1/2-13 x 1 1/2 Gr. 5	4
77	950-002-009	Hex Head Flange Bolt 3/8-16 x 1	38	160	79203951	External Snap Ring 2" Heavy Duty	2
78	950-001-024	Hex Head Cap Screw 5/8-11 x 2 1/2 Gr. 8	4	161	710-05332	Shim Washer 2" 10 Ga. (.135)	A/R
79	950-001-124	Hex Head Cap Screw 1/2-13 x 4 Gr. 5	4	162	710-05333	Shim Washer 2" 16 Ga. (.060)	A/R
80	950-001-112	Hex Head Cap Screw 1/2-13 x 2 Gr. 5	24	163	79203969	Chain Coupling Weldment (Can Replace Item 48)	4
81	951-001-008	Hex Nut 5/8	4	164	79203966	Chain #60 Double Coupling	2
82	950-001-253	Hex Head Cap Screw 3/4-10 x 7 Gr. 5	1				

SECTION 4

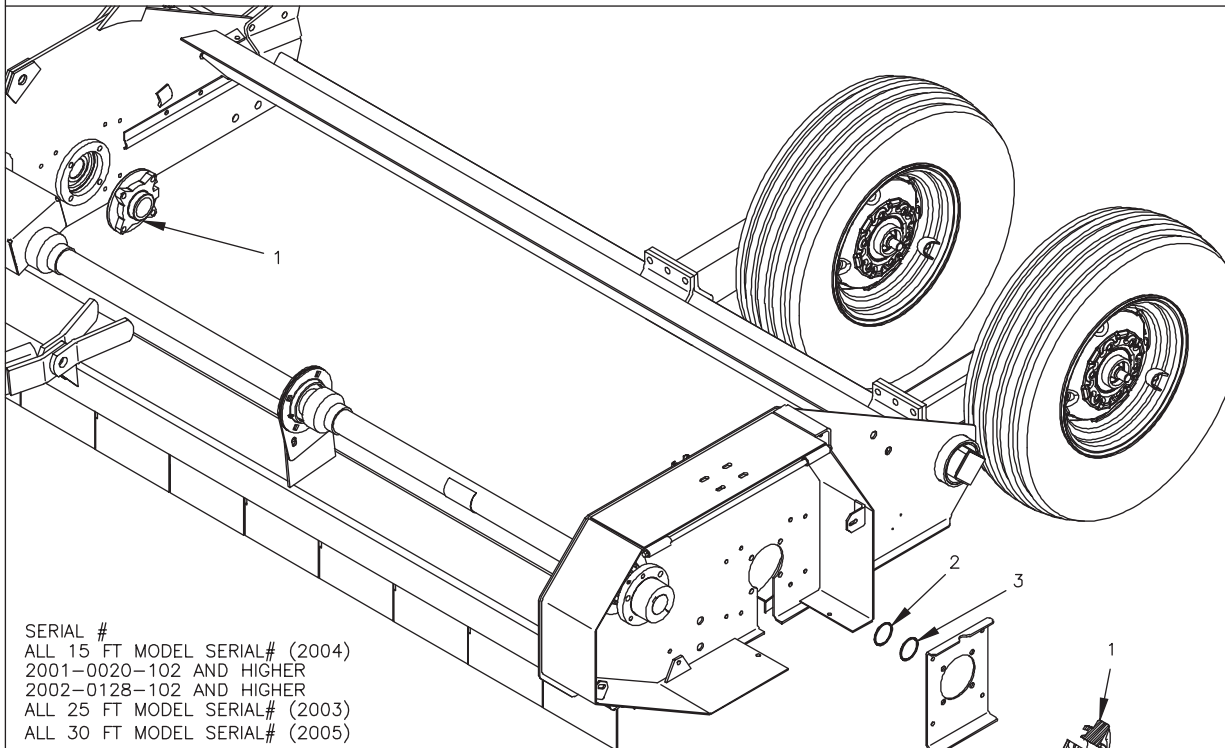
HINIKER AR-2000 SHREDDER

SEC
4



SERIAL #
2001-0019-101 AND LOWER
2002-0127-101 AND LOWER

REF. NO.	PART NUMBER	DESCRIPTION	QTY	REF. NO.	PART NUMBER	DESCRIPTION	QTY
1	79203219	FLANGE BEARING 2 3/16" SHAFT	A/R	5	000-20192	ADAPTER STRAIGHT, 1/4-28 TO 1/8 NPT	A/R
2	79203244	2 3/16" ROTOR BRG REPLACEMENT KIT	A/R	6	203-51251	ADAPTER 45° ELBOW, 1/4-28 TO 1/8 NPT	A/R
3	79202329	SHIM WASHER, 16 GA.	A/R	7	203-51254	ADAPTER 45° ELBOW, 1/8 NPT TO 1/8 NPT	A/R
4	79202328	SHIM WASHER, 10 GA.	A/R				



SERIAL #
ALL 15 FT MODEL SERIAL# (2004)
2001-0020-102 AND HIGHER
2002-0128-102 AND HIGHER
ALL 25 FT MODEL SERIAL# (2003)
ALL 30 FT MODEL SERIAL# (2005)

REF. NO.	PART NUMBER	DESCRIPTION	QTY
1	79203219	FLANGE BEARING 2 3/16" SHAFT	A/R
2	79202329	SHIM WASHER, 16 GA.	A/R
3	79202328	SHIM WASHER, 10 GA.	A/R

DWG. NO.6736

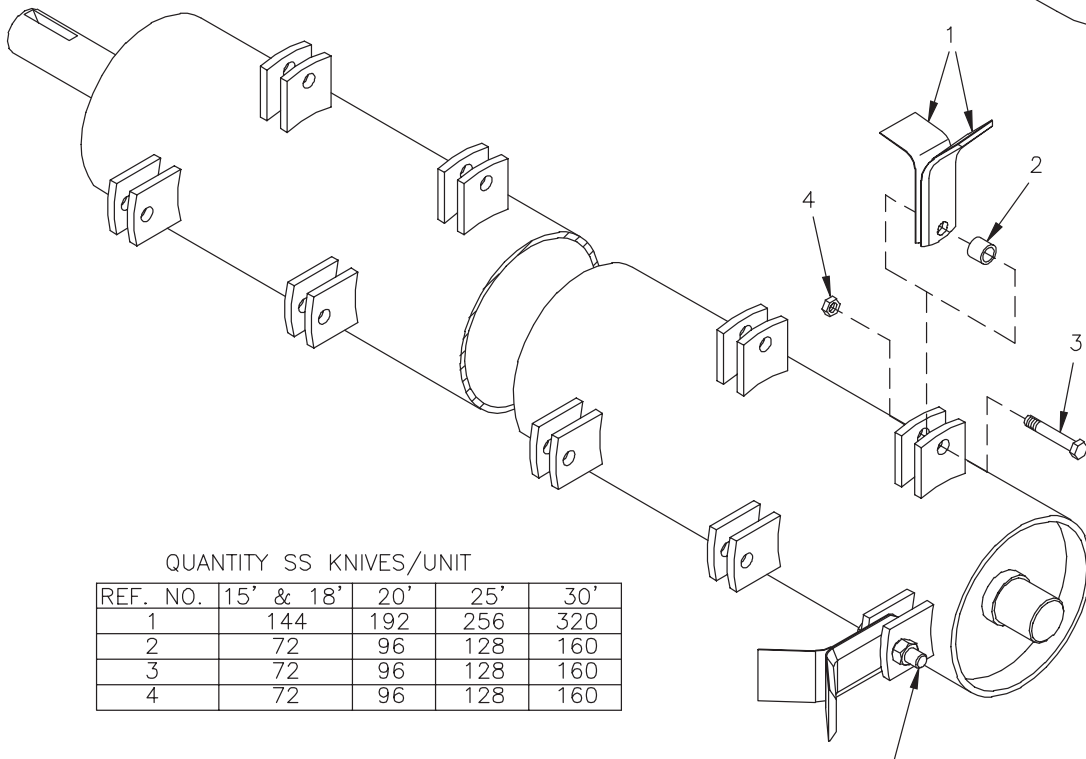
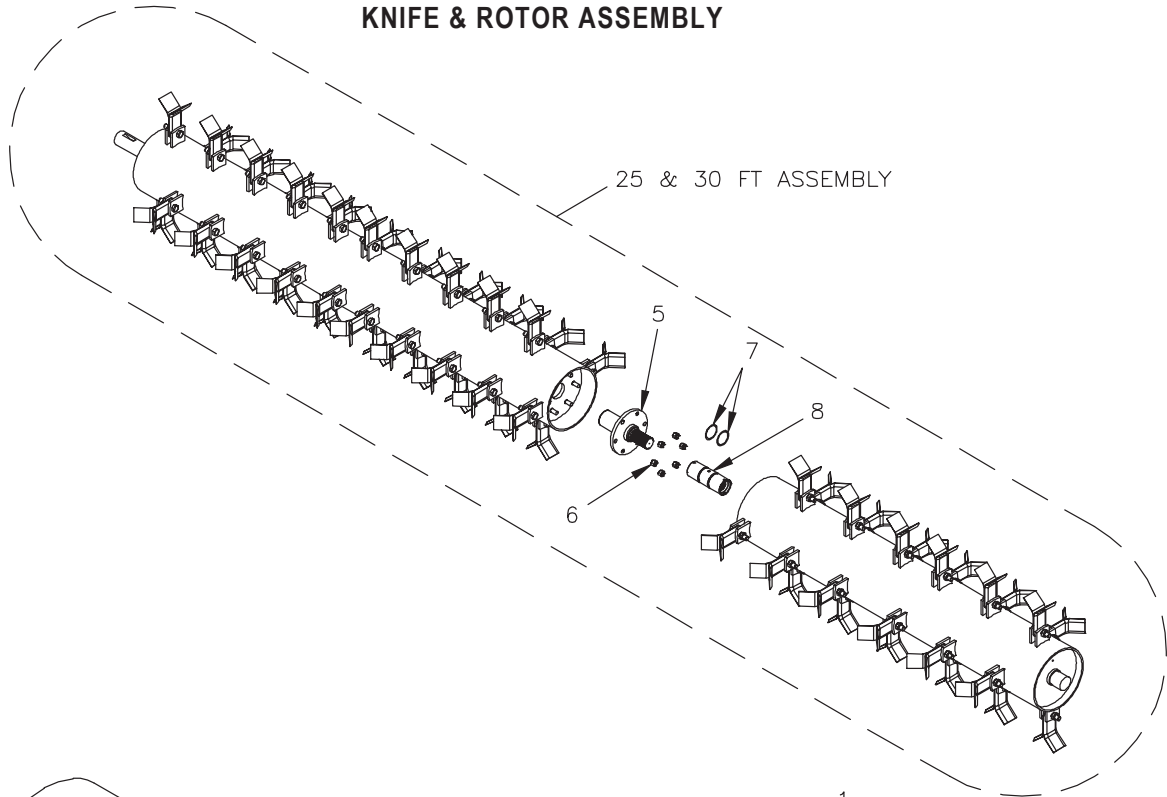
SECTION 5

COMPONENT PARTS

PAGE 2	KNIFE & ROTOR ASSEMBLY
PAGE 3	15, 18, AND 20 FT. IDLER ASSEMBLY
PAGE 3	25 FT. IDLER ASSEMBLY
PAGE 4	30 FT. IDLER ASSEMBLY
PAGE 4	SMV SIGN ASSEMBLY
PAGE 5	TIRE, RIM & WHEEL LEG ASSEMBLY

HINIKER AR-2000 SHREDDER

KNIFE & ROTOR ASSEMBLY



QUANTITY SS KNIVES/UNIT

REF. NO.	15' & 18'	20'	25'	30'
1	144	192	256	320
2	72	96	128	160
3	72	96	128	160
4	72	96	128	160

NOTE ORIENTATION OF THIS BOLT ONLY.
ORIENTATION NEEDED FOR EASE OF KNIFE
REPLACEMENT.

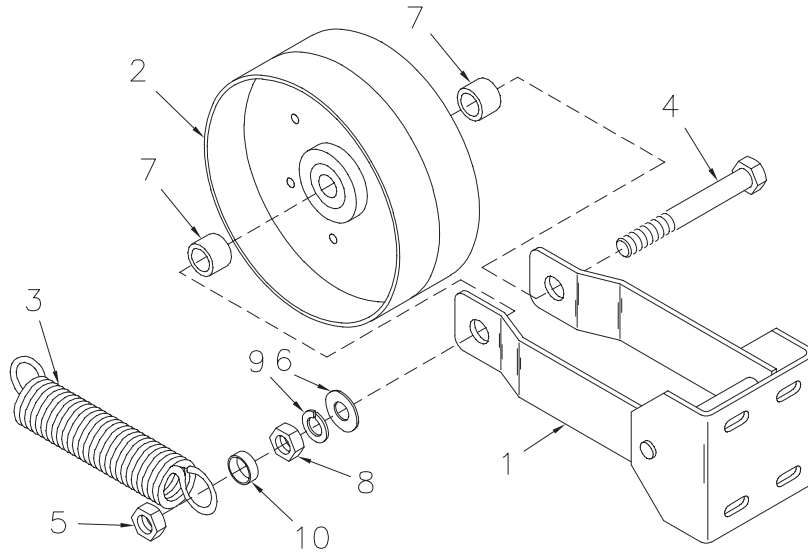
DWG. NO. 5944

REF. NO.	PART NUMBER	DESCRIPTION	QTY.	REF. NO.	PART NUMBER	DESCRIPTION	QTY.
1	79202290	SS Knife	A/R	5	79202889	Rotor Shaft Weldment	2
2	79202291	Bushing 3/4"	A/R	6	951-003-004	Lock Nut 1/2-20 Nylon Insert	12
3	950-001-322	Hex Head Cap Screw 5/8-11 x 2 3/4 Gr. 8	A/R	7	394-002-115	O-Ring #139-70 Buna-N	2
4	060756	Lock Nut 5/8-11 Nylon Insert	A/R	8	79202868	Coupler Case Hardened	1

SEC 5

HINIKER AR-2000 SHREDDER

15, 18, AND 20 FT. IDLER ASSEMBLY



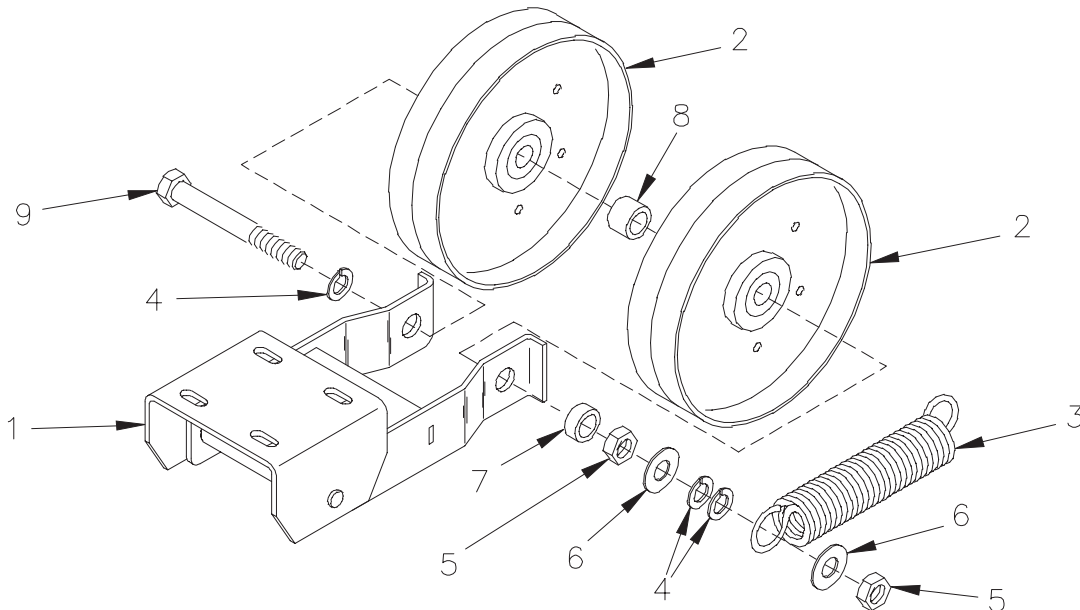
79202302 BT Idler Assembly

DWG. NO. 5939

REF. NO.	PART NUMBER	DESCRIPTION	QTY.	REF. NO.	PART NUMBER	DESCRIPTION	QTY.
1	79202300	Idler Weldment	1	6	033-12013	Flat Washer 3/4	1
2	51599031	8" Idler Pulley	1	7	400-10466	Spacer	2
3	725-03047	Extension Spring	1	8	951-001-009	Hex Nut 3/4-10	1
4	031-06365	Hex Head Cap Screw 3/4-10 x 5	1	9	952-001-006	Lock Washer 3/4 Inch	1
5	951-005-037	Lock Nut 3/4-10 2-Way	1	10	79202310	Spacer 5/16 x 3/4 Conduit	1

5 S E C

25 FT. IDLER ASSEMBLY



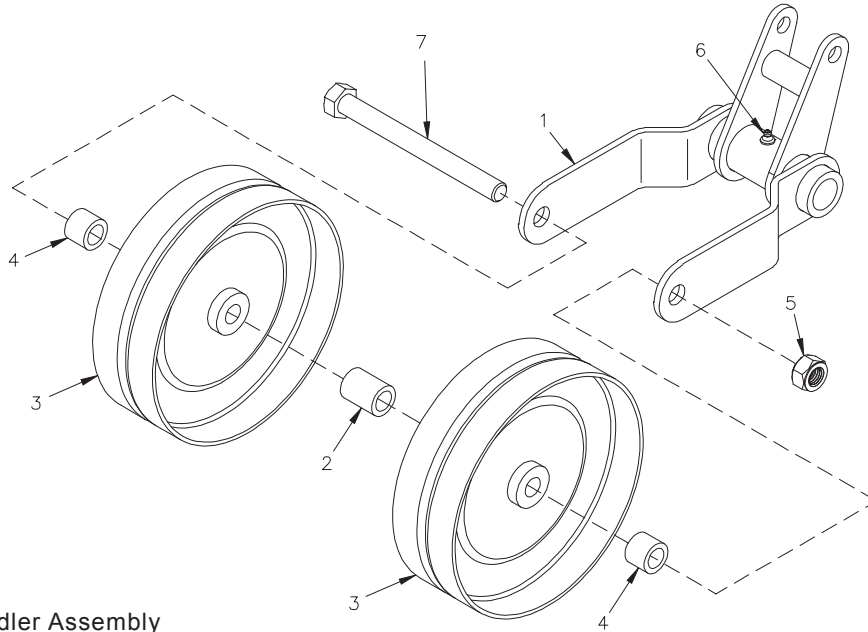
79203079 Idler Assembly

DWG. NO. 6480

REF. NO.	PART NUMBER	DESCRIPTION	QTY.	REF. NO.	PART NUMBER	DESCRIPTION	QTY.
1	79203088	Pivot Idler Weldment	1	6	952-003-003	Flat Washer 5/8 SAE	2
2	79202935	Idler 8 OD x 2" W x 5/8	2	7	81004025	Pivot Bushing	1
3	725-03047	Extension Spring	1	8	79203089	Spacer Idler Center	1
4	952-001-005	Lock Washer 5/8 Med Split SAE	3	9	950-001-163	Hex Head Cap Screw 5/8-11 x 5 1/2 Gr. 5	1
5	951-005-044	Lock Nut 2-Way 5/8-11	2				

HINIKER AR-2000 SHREDDER

30 FT. IDLER ASSEMBLY

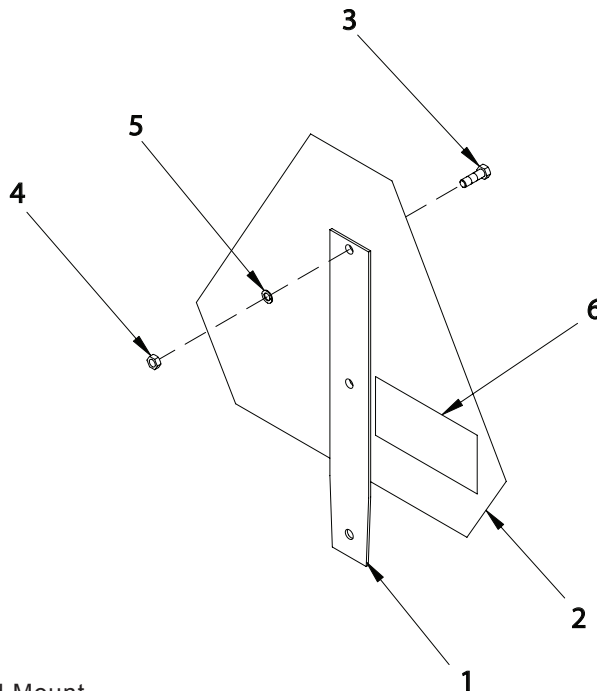


79203567 30 Ft. Idler Assembly

DWG. NO.6892

REF. NO.	PART NUMBER	DESCRIPTION	QTY.	REF. NO.	PART NUMBER	DESCRIPTION	QTY.
1	79203568	Idler Weldment	1	5	951-005-044	Lock Nut 5/8-11 2-Way	1
2	79203569	Idler Center Spacer Bushing	1	6	203-50003	Grease Zerk 1/4-28 NPT Straight	1
3	79203570	Idler	2	7	950-001-027	Hex Head Cap Screw 5/8-11 x 6 1/2 Gr. 5	1
4	79203571	Idler Outer Spacer Bushing	2				

SMV SIGN ASSEMBLY



790-41218 Assembly SMV And Mount

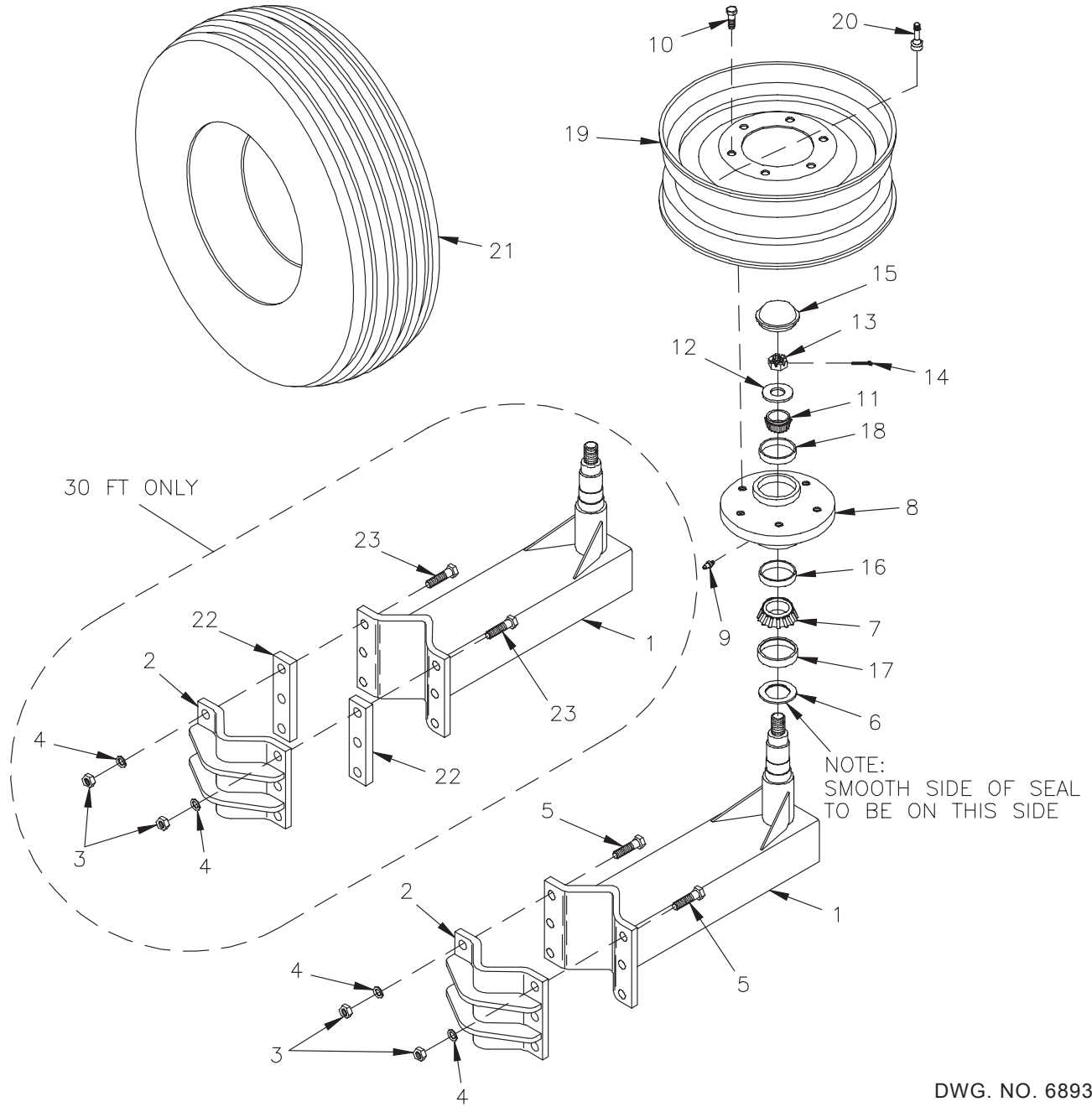
DWG. NO. 2521

REF. NO.	PART NUMBER	DESCRIPTION	QTY.	REF. NO.	PART NUMBER	DESCRIPTION	QTY.
1	400-22083	Mount	1	5	033-22007	Lock Washer #10	2
2	850-001-354	SMV Emblem	1	6	715-03056	Caution Decal	1
3	031-10599	Machine Screw #10-24 x 1/2 Slotted Round Head	2		790-41218	Complete SMV Sign Assembly	
4	951-001-002	Hex Nut #10-24	2				

5 CMS

HINIKER AR-2000 SHREDDER

TIRE, RIM, & WHEEL LEG ASSEMBLY



DWG. NO. 6893

REF. NO.	PART NUMBER	DESCRIPTION	QTY.	REF. NO.	PART NUMBER	DESCRIPTION	QTY.
1	79203210	Wheel Leg Weldment (See Drawing Above)	1	15	850-001-155	Dust Cap	1
2	79203647	Clamp Plate Weldment	1	16	850-001-159	Rear Cup JL 69310	1
3	951-001-008	Hex Nut 5/8-11	6	17	850-001-555	Wear Sleeve	1
4	952-001-005	Lock Washer 5/8	6	18	850-001-158	Front Cup LM 67010	1
5	950-001-023	Hex Head Cap Screw 5/8-11 x 2 Gr. 5	6	19	850-001-828	5" x 15 Rim - 6 Bolt Black (Not Part Of Assembly)	1
6	850-001-164	Triple Lip Seal	1	79203368	Rim 8" x 15", 6-Bolt (Not Part Of Assembly)	1	
7	850-001-154	Cone JL69349	1	20	80504793	Tire Valve (Not Part Of Assembly)	1
8	850-003-053	Hub W/Wear Sleeve (Includes 16, 17, 18)	1	21	805-001-154	7.6 x 15 Tire 8 Ply	1
9	955-001-001	Grease Fitting 1/8-27 NPT	1	850-002-669	9.5L x 15 Tire 8 Ply	1	
10	950-011-006	Wheel Bolt 1/2-20 x 1	6	22	79203513	Spacer	2
11	850-001-153	Cone LM67048	1	23	950-001-141	Hex Head Cap Screw 5/8-11 x 3 Gr. 5	6
12	802-000-007	Flat Washer 7/8 Inch	1	79203649	Wheel Leg Assembly (Includes Items 1-18)		
13	951-005-002	Slotted Nut 7/8-14	1	79203527	Wheel Leg Assembly (Includes Items 1-18, 22, 23)		
14	953-001-017	Square Cut Cotter Pin 5/32 x 1 1/2	1		30 Ft. Only		

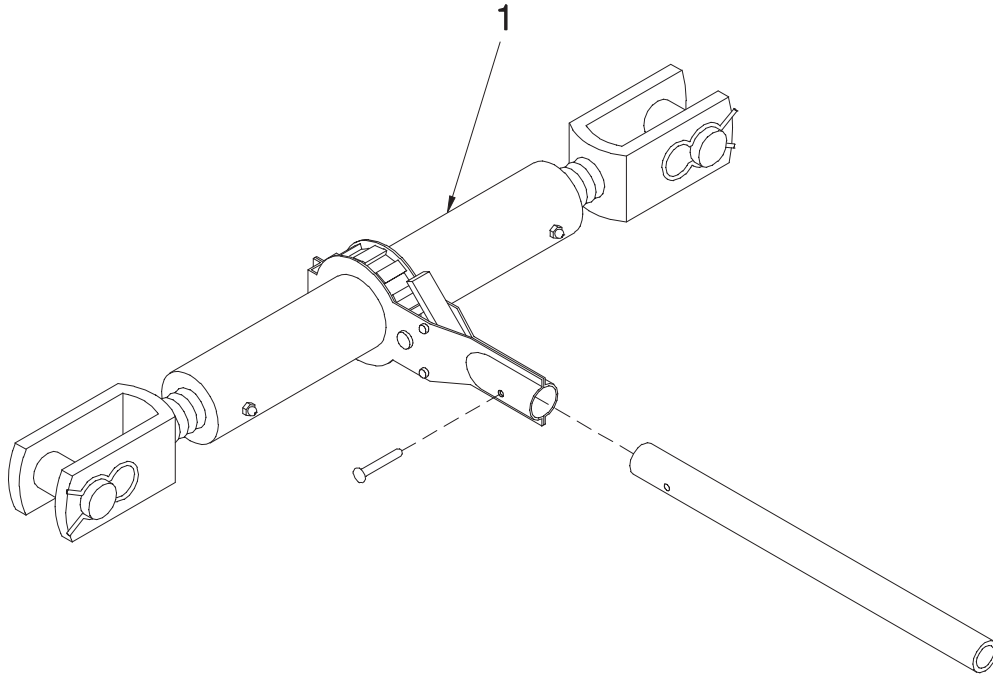
SECTION 6

OPTIONAL EQUIPMENT

PAGE 2	RATCHET JACK ASSEMBLY
PAGE 2	GRASS DIVIDER
PAGE 3	MANUAL END TRANSPORT KIT
PAGE 4	MANUAL HUB & SPINDLE ASSEMBLY
PAGE 4	HYDRAULIC CYLINDER STOP BLOCK SET
PAGE 5	HYDRAULIC END TRANSPORT
PAGE 6	PTO SHAFT HOLDER
PAGE 7	SAFETY LIGHTING FIELD USE ONLY
PAGE 7	SAFETY LIGHTING END TRANSPORT/FIELD USE
PAGE 8	SKID PLATE KIT
PAGE 9	HYDRAULIC LIFT KIT 15', 18', 20', AND 25'
PAGE 10	HYDRAULIC CYLINDER 2 1/2 X 8 CYLINDER
PAGE 10	HYDRAULIC CYLINDER 3 X 8 CYLINDER

HINIKER AR-2000 SHREDDER

RACHET JACK ASSEMBLY

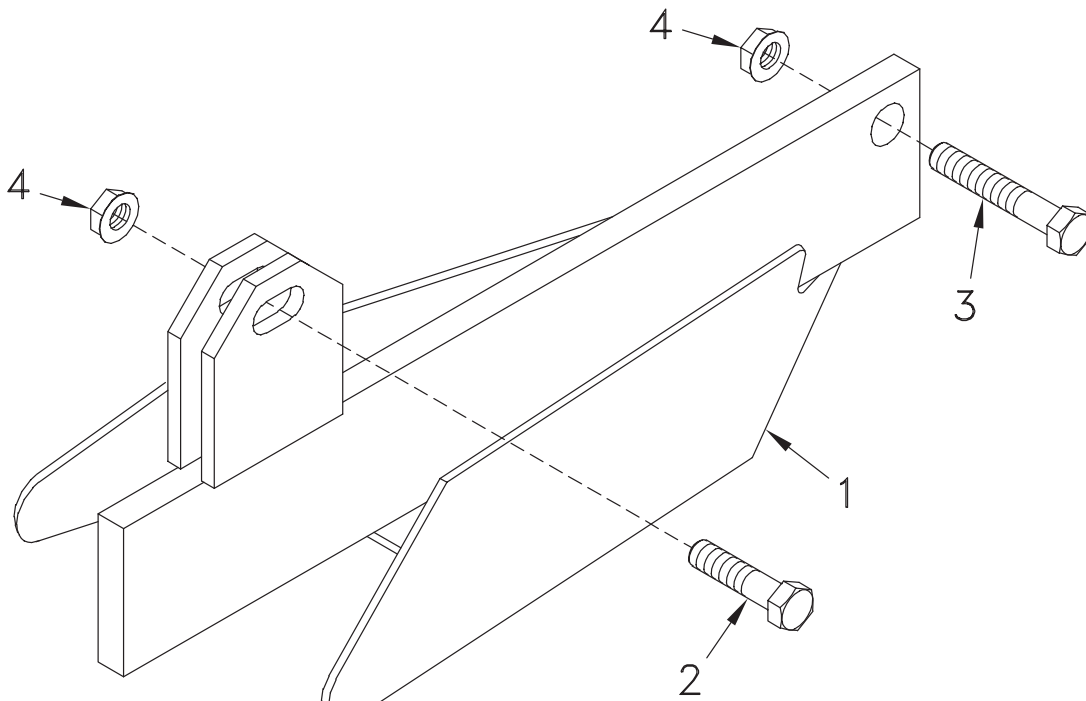


000-04067 Ratchet Jack Assembly

DWG. NO. 2502

REF. NO.	PART NUMBER	DESCRIPTION	QTY.	REF. NO.	PART NUMBER	DESCRIPTION	QTY.
1	000-04067	Complete Ratchet Jack Assembly	1				

GRASS DIVIDER



79201854 Grass Divider Assembly

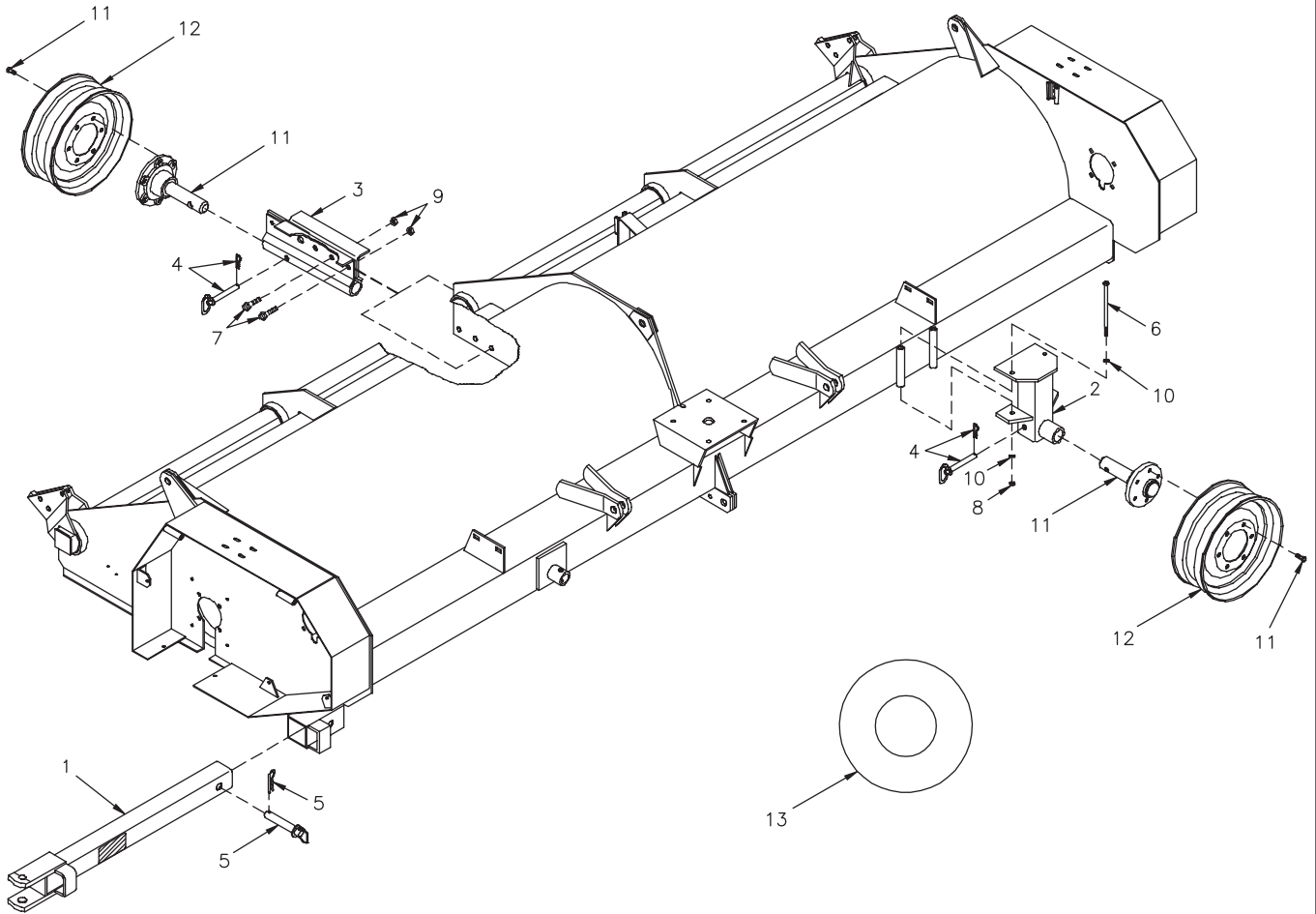
DWG. NO. 3172

REF. NO.	PART NUMBER	DESCRIPTION	QTY.	REF. NO.	PART NUMBER	DESCRIPTION	QTY.
1	79201851	Grass Divider Weldment	1	3	031-06208	Hex Head Cap Screw 1/2-13 x 2 1/4 Gr. 5	1
2	950-002-013	Hex Head Flanged Lock Bolt 1/2-13 x 1 1/2	1	4	951-005-055	Mac Lock Nut 1/2-13	2

SECTION 6

HINIKER AR-2000 SHREDDER

MANUAL END TRANSPORT KIT 15' ALL SN (18' SN 2001-0011-100 AND BELOW) (20' SN 2002-0065-100 AND BELOW)



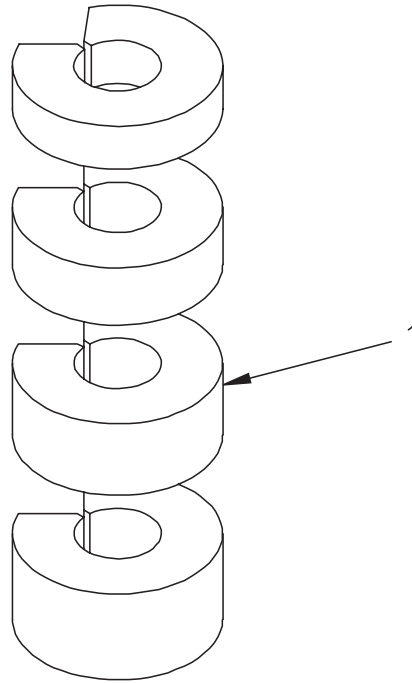
1751 End Transport Kit

DWG. NO. 3186

REF. NO.	PART NUMBER	DESCRIPTION	QTY.	REF. NO.	PART NUMBER	DESCRIPTION	QTY.
1	79201040	Transport Tongue Assembly	1	8	034-05170	UNI-Torque Lock Nut 1/2 -13	2
2	79201887	Front Transport Mount Weldment	1	9	034-05173	UNI-Torque Lock Nut 3/4-10	3
3	79200977	Rear Transport Weldment	1	10	952-003-004	SAE Flat Washer 1/2 Inch	4
4	850-001-309	Hitch Pin Assembly	2	11	79201044	End Transport Spindle Assembly (Sec. 6 Page 4)	2
5	000-20255	Clevis Pin Assembly	1	12	850-001-828	5" x 15" Rim - 6-Bolt	2
6	950-001-246	Hex Head Cap Screw 1/2-13 x 7 1/2 Gr. 5	2	13	805-001-154	7.60 x 15 Tire 8 Ply	2
7	950-001-166	Hex Head Cap Screw 3/4-10 x 2 Gr. 5	3				

HINIKER AR-2000 SHREDDER

HYDRAULIC CYLINDER STOP BLOCK SET

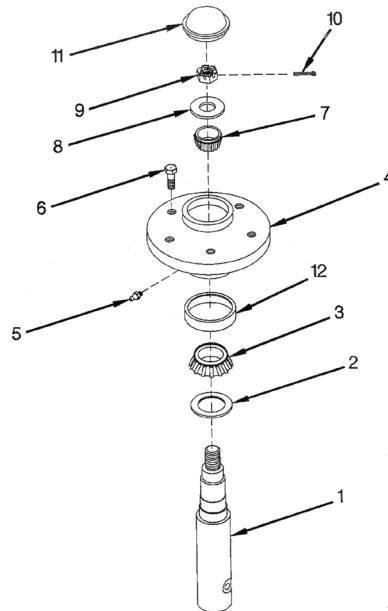


DWG. NO. 6857

REF. NO.	PART NUMBER	DESCRIPTION	QTY.	REF. NO.	PART NUMBER	DESCRIPTION	QTY.
1	79203414	Hydraulic Cylinder Stop Block Set	1				

6

MANUAL END TRANSPORT HUB & SPINDLE ASSEMBLY

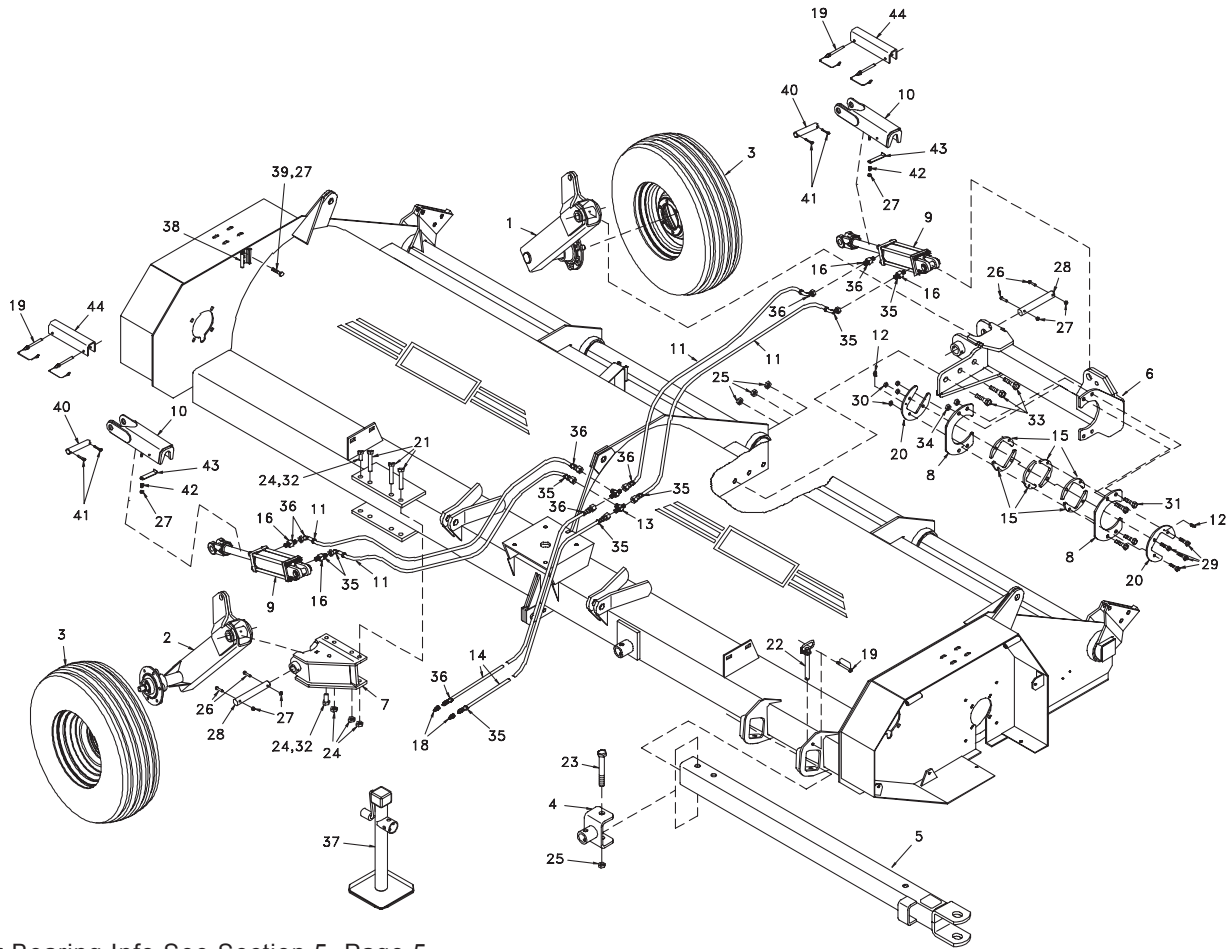


DWG. NO. 2519

REF. NO.	PART NUMBER	DESCRIPTION	QTY.	REF. NO.	PART NUMBER	DESCRIPTION	QTY.
1	79201028	Spindle End Transport	1	8	802-000-007	Washer 7/8	1
2	850-001-164	Triple Lip Seal	1	9	951-005-002	Slotted Nut 7/8-14	1
3	850-001-154	Cone JL69349	1	10	953-001-017	Square Cut Cotter Pin 5/32 x 1 1/2	1
4	850-003-053	Hub W/Wear Sleeve (Includes Item 12)	1	11	850-001-155	Dust Cap	1
5	955-001-001	Grease Fitting 1/8-27 NPT	1	12	850-001-555	Wear Sleeve	1
6	950-011-006	Wheel Bolt 1/2 - 20 x 1	6		79201044	Complete Spindle Assembly	
7	850-001-153	Cone LM67048	1				

HINIKER AR-2000 SHREDDER

HYDRAULIC END TRANSPORT KIT (18' SN 2001-0012-101 AND UP) (20' SN 2002-0066-101 AND UP) (25' SN 2003-0001-101 AND UP)

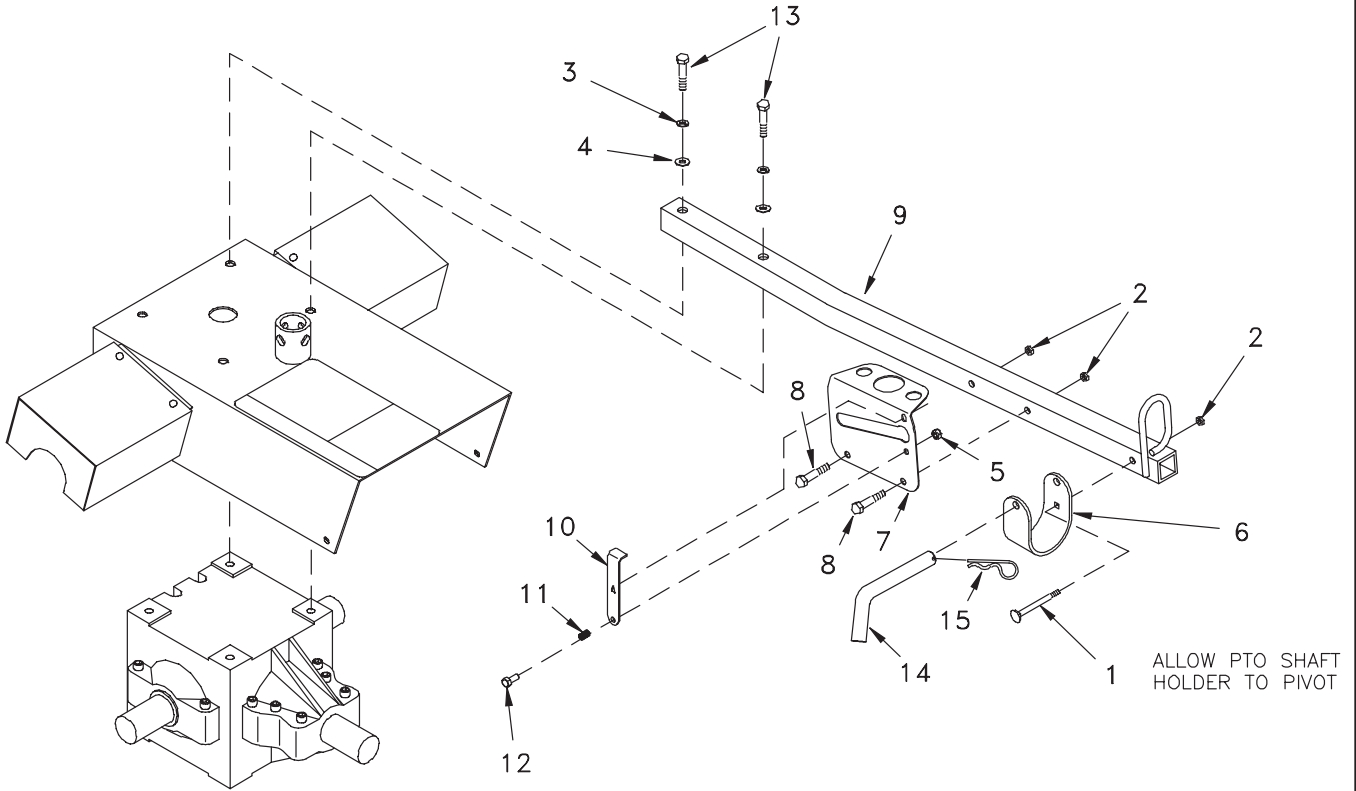


For Bearing Info See Section 5, Page 5
79202993 Hydraulic End Transport Kit

DWG. NO. 6858

REF. NO.	PART NUMBER	DESCRIPTION	QTY.	REF. NO.	PART NUMBER	DESCRIPTION	QTY.
1	79202985	Rear Wheel Leg Assembly	1	23	950-001-152	Hex Head Cap Screw 3/4-10 x 6 Gr. 5	1
2	79202669	Front Wheel Leg Assembly	1	24	060756	Lock Nut 5/8-11 Nylon Insert	5
3	79203351	Tire & Rim Assembly 9.5L-15 x 12 Ply	2	25	034-05173	Lock Nut 3/4-10 Gr. B Uni-Torque	4
4	79202987	Wld, Jack Clevis	1	26	950-001-097	Hex Head Cap Screw 5/16-18 x 2 1/2 Gr. 5	4
5	79203388	End Trans Hitch W/Decal Assembly	1	27	951-005-036	Lock Nut 5/16-18 Mac Loc	8
6	79202978	Rear Transport Pivot Weldment	1	28	79202681	Pin	2
7	79203378	Front Weldment	1	29	950-001-092	Hex Head Cap Screw 3/8-16 x 1 3/4 Gr. 5	4
8	79202988	Bracket, Pivot Clamp	2	30	951-005-051	Lock Nut 3/8-16 2 Way	4
9	79202368	Hydraulic Cylinder 3 x 8 (See Sec 6 Pg 10) Lion	2	31	950-001-125	Hex Head Cap Screw 1/2-13 x 1 1/2 Gr. 5	4
10	79203419	Cylinder Stop	2	32	950-001-023	Hex Head Cap Screw 5/8-11 x 2 Gr. 5	2
11	957-021-001	Hose Assembly 1/4 x 54"	4	33	950-001-166	Hex Head Cap Screw 3/4-10 x 2 Gr. 5	3
12	955-001-002	Grease Fitting 1/4-28	2	34	034-05170	Lock Nut 1/2 Gr. B Stover	4
13	956-007-023	Bulkhead Fitting-Tee, 9/16 JIC	2	35	921-001-490	Green Cable Tie	8
14	957-029-001	Hose Assembly 1/4 x 120"	2	36	921-001-487	Red Cable Tie	8
15	79202989	Rockshaft Bearing	6	37	79203524	Tubular Mount Jack 10" Travel	1
16	956-003-001	Straight Adapter 9/16 To 3/4 .297 ID	4	38	400-11027	Bracket	1
17	921-001-144	14" Plastic Cable Tie	8	39	030-16041	Carriage Bolt 5/16-18 x 3/4 Gr. 5	2
18	956-008-036	Male Hydraulic 3/4 ORB Connector ISO	2	40	85501557	Cylinder Pin	2
19	623011	Lynch Pin 5/16 x 2 3/4	5	41	953-001-007	Pin-Cotter 3/16 x 1 1/2 EP Square Cut	4
20	79202990	Rockshaft Bearing Cap	2	42	79203444	Compression Spring	2
21	950-001-165	Hex Head Cap Screw 5/8-11 x 7 1/2 Gr. 5	3	43	79203436	Latch	2
22	79202967	Hitch Pin	1	44	79202686	Cylinder Stop	2

PTO HOLDER

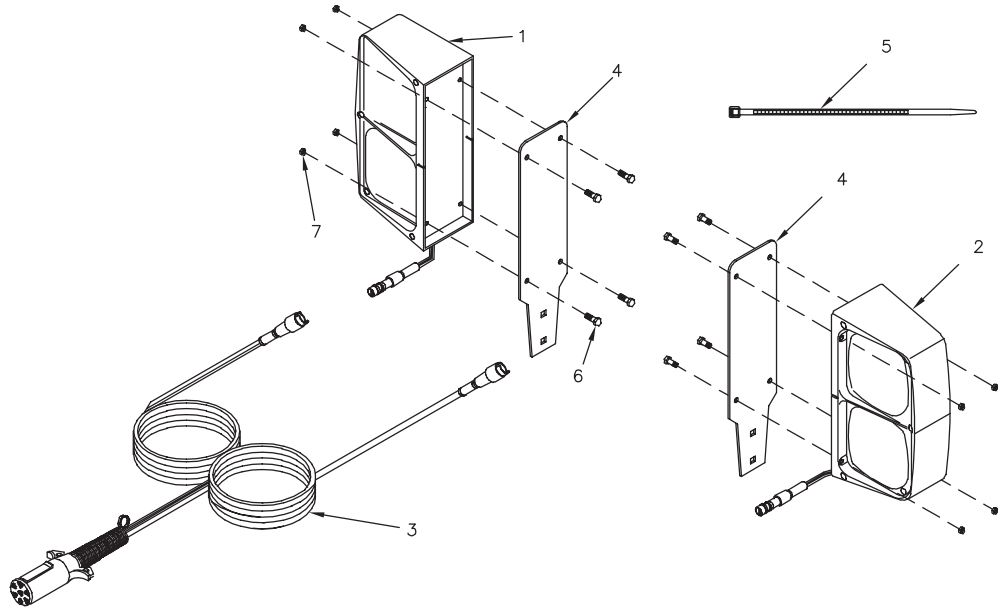


DWG. NO. 6382

REF. NO.	PART NUMBER	DESCRIPTION	QTY.	REF. NO.	PART NUMBER	DESCRIPTION	QTY.
1	950-003-012	Carriage Bolt 3/8-16 x 2 1/4 Gr. 5	1	9	79202639	PTO Holder	1
2	951-005-051	Lock Nut 3/8-16 2-Way	3	10	79203434	Hose Stop	1
3	952-001-004	Lock Washer 1/2 Inch	2	11	79203444	Compression Spring	1
4	952-004-067	Flat Washer 1/2 Inch	2	12	950-001-200	Hex Head Cap Screw 5/16-18 x 1 1/4 Gr. 5	1
5	951-005-036	Lock Nut 5/16-18 Mac Loc	1	13	950-001-135	Hex Head Cap Screw 1/2-13 x 2 3/4 Gr. 5	2
6	79202740	PTO Holder	1	14	79202739	Pin	1
7	79202638	Mount Plate	1	15	953-005-001	Hair Pin	1
8	031-06110	Hex Head Cap Screw 3/8-16 x 2 1/4 Gr. 5	2				

HINIKER AR-2000 SHREDDER

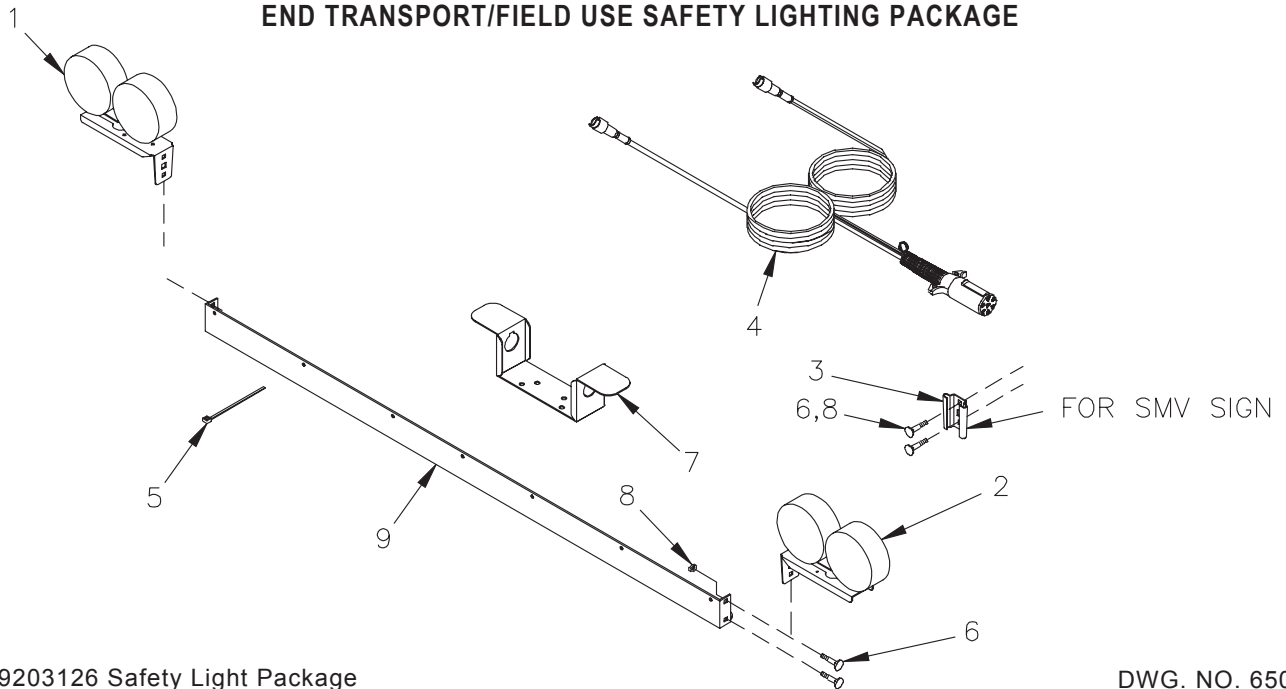
SAFETY LIGHTING FIELD USE ONLY



DWG. NO. 5940

REF. NO.	PART NUMBER	DESCRIPTION	QTY.	REF. NO.	PART NUMBER	DESCRIPTION	QTY.
1	36100000	Light, Implement, LH Assembly	1	5	367-001-014	Cable Tie, Black 8 Inch	12
2	36100001	Light, Implement, RH Assembly	1	6	031-06006	Hex Head Cap Screw 1/4-20 x 1 Gr. 5	8
3	38809028	Harness, Lighting	1	7	951-005-089	Lock Nut 1/4-20, 2-Way	8
4	79202294	Light Bracket	2				

END TRANSPORT/FIELD USE SAFETY LIGHTING PACKAGE



79203126 Safety Light Package

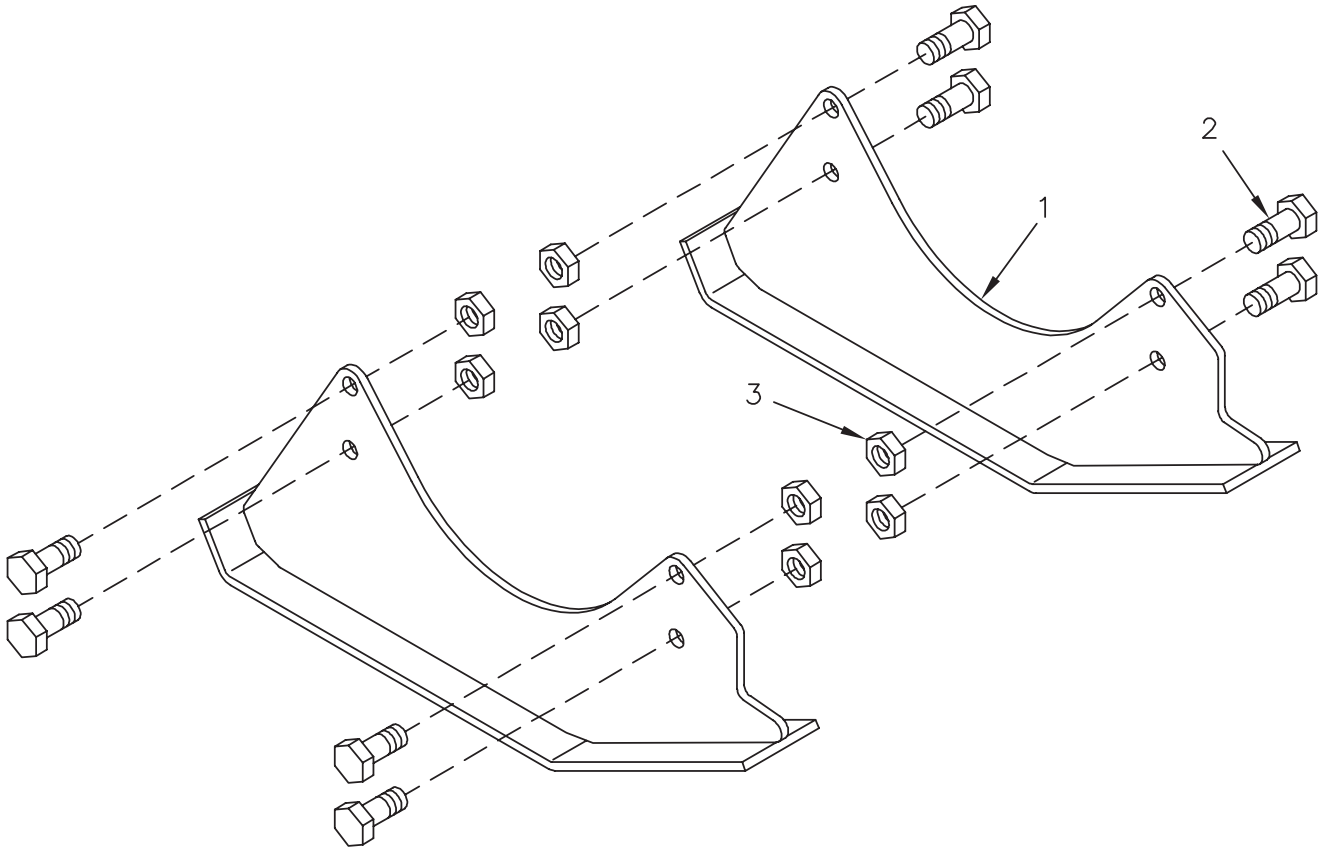
DWG. NO. 6506

REF. NO.	PART NUMBER	DESCRIPTION	QTY.	REF. NO.	PART NUMBER	DESCRIPTION	QTY.
1	79203124	Light Assembly Left	1	6	030-16041	Carriage Bolt 5/16-18 x 3/4 Gr. 5	6
2	79203125	Light Assembly Right	1	7	79203129	Wire Holder	1
3	400-11027	Bracket	1	8	951-005-036	Mac Lock Nut 5/16-18	6
4	38809035	Lighting Harness	1	9	79203128	Long Light Bar	1
5	367-001-014	Cable Tie, Black 8 Inch	20				

SECTION 6

SKID PLATE KIT

6
C
S



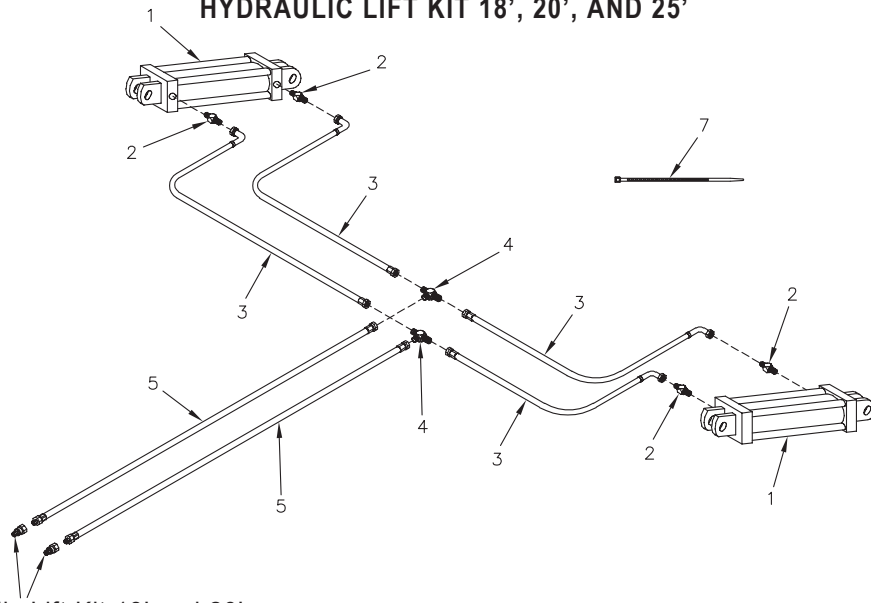
79202306 Skid Plate Kit

DWG. NO. 5941

REF. NO.	PART NUMBER	DESCRIPTION	QTY.	REF. NO.	PART NUMBER	DESCRIPTION	QTY.
1	79202281	Skid Weldment	2	3	951-005-097	Lock Nut 3/4-10 Mac-Lock	8
2	950-001-029	Hex Head Cap Screw 3/4-10 x 1 3/4 Gr. 5	8				

HINIKER AR-2000 SHREDDER

HYDRAULIC LIFT KIT 18', 20', AND 25'

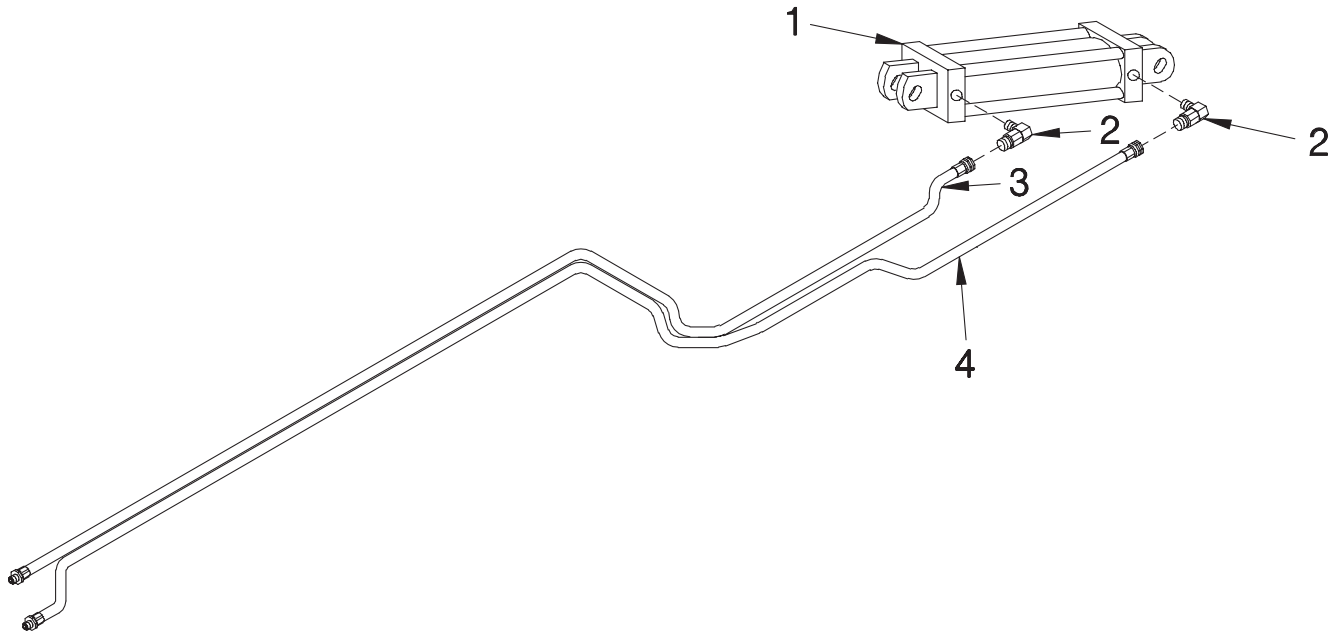


79202349 Hydraulic Lift Kit 18' and 20'
79203021 Hydraulic Lift Kit 25'

DWG. NO. 5943

REF. NO.	PART NUMBER	DESCRIPTION	QTY.	REF. NO.	PART NUMBER	DESCRIPTION	QTY.
1	79202351	Hydraulic Cylinder 2 1/2 x 8 (See Sec 6 Pg 10)	2	4	956-007-023	Fitting-Tee Bulkhead 9/16 JIC	2
2	956-003-001	Straight Adapter 9/16 M To 3/4 M .297ID	4	5	957-028-011	Hose Assembly 3/8 x 150"	2
3	957-022-014	Hose Assembly 1/4 x 126" (18' & 20')	4	6	956-008-036	Connector ISO Male Hydraulic 3/4 ORB	2
	957-022-017	Hose Assembly 1/4 x 156" (25')	4	7	921-001-144	14" Plastic Cable Tie	8

HYDRAULIC LIFT KIT 15'



79201616 Hydraulic Cylinder Package

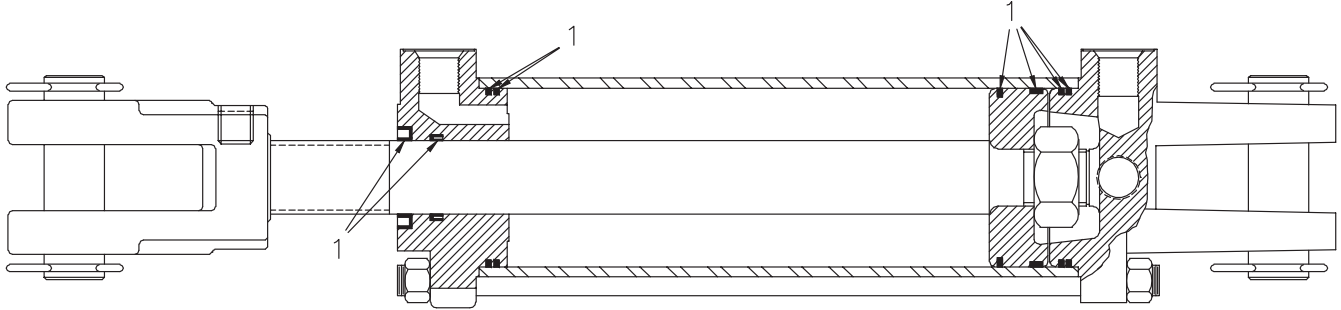
DWG. NO. 6531

REF. NO.	PART NUMBER	DESCRIPTION	QTY.	REF. NO.	PART NUMBER	DESCRIPTION	QTY.
1	79202368	3 x 8 Cylinder Assembly (See Sec. 6, Page 10)	1	3	957-004-006	Hose Assembly 3/8 x 156"	1
2	956-005-001	90° Elbow	2	4	957-004-007	Hose Assembly 3/8 x 172"	1

SEC 6

HINIKER AR-2000 SHREDDER

2 1/2 X 8 CYLINDER



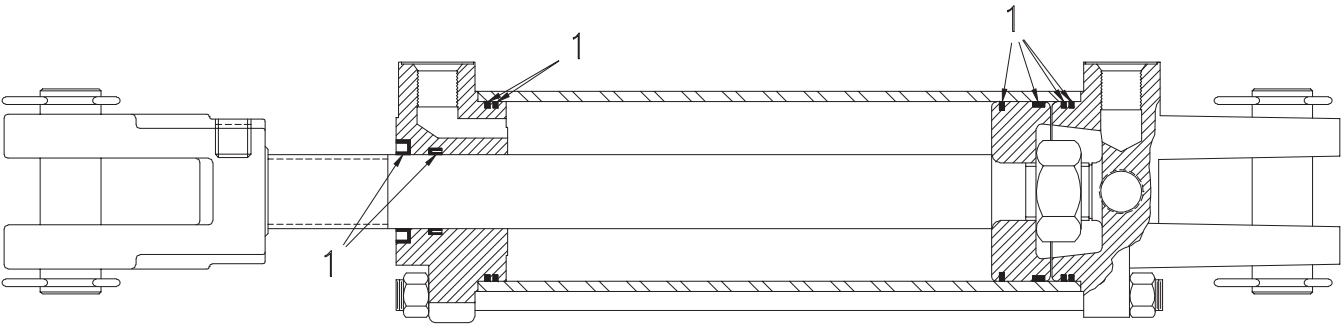
79202351 2 1/2 x 8 Cylinder

DWG. NO. 6567

REF. NO.	PART NUMBER	DESCRIPTION	QTY.	REF. NO.	PART NUMBER	DESCRIPTION	QTY.
1	79202366	Seal Kit	1	2	79202351	2 1/2 x 8 Cylinder Assembly	

6

3 X 8 CYLINDER



79202368 3 x 8 Cylinder

DWG. NO. 5949

REF. NO.	PART NUMBER	DESCRIPTION	QTY.	REF. NO.	PART NUMBER	DESCRIPTION	QTY.
1	79202380	Seal Kit	1	2	79202368	3 x 8 Cylinder Assembly	

