



HINIKER

CULTI-PRO

HIGH SPEED CULTIVATION IN ANY TILLAGE SYSTEM

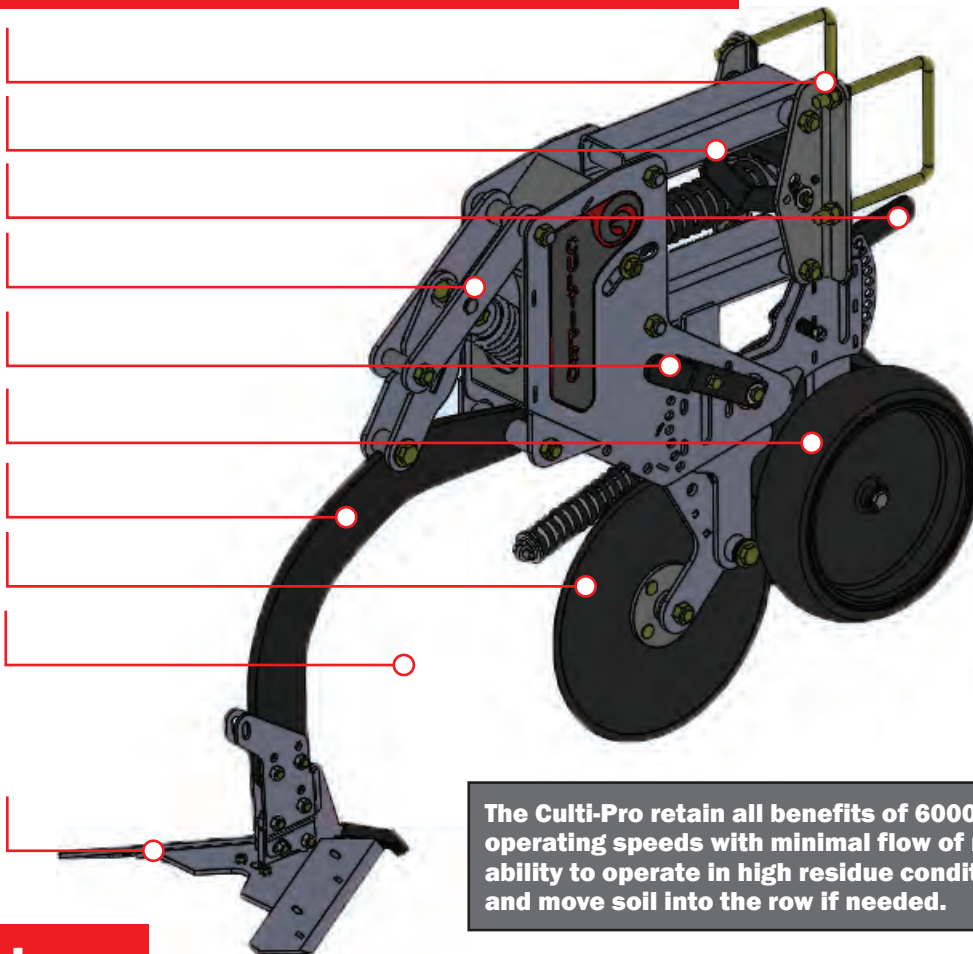


Conventional • Ridge-Till • No-Till • Organic



Conventional • Organic • Ridge-Till • No-Till

- Parallel Linkage with 9" of Vertical Travel
- 4 Position Down Pressure Adjustment
- Easy No-Pin Depth Adjustment
- Single Spring Toggle Trip Shank
- Easy No-Pin Cutting Coupler Adjustment
- Dual Oscillating 4"x16" Semi-Pneumatic Tires
- Heavy Duty 3/4" Thick Spring Steel Shank
- Spring Loaded 18" Dia Cutting Coupler
- Large Trash Clearance Area
- Optional Sweeps Available



The Culti-Pro retain all benefits of 6000, such as higher operating speeds with minimal flow of material into the row, ability to operate in high residue conditions, ability to ridge and move soil into the row if needed.

Special Features

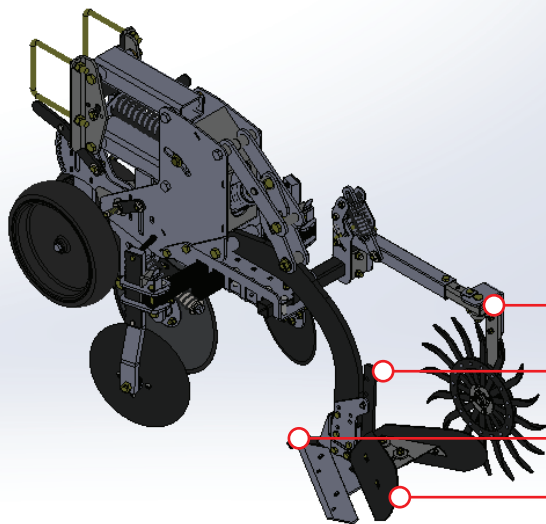
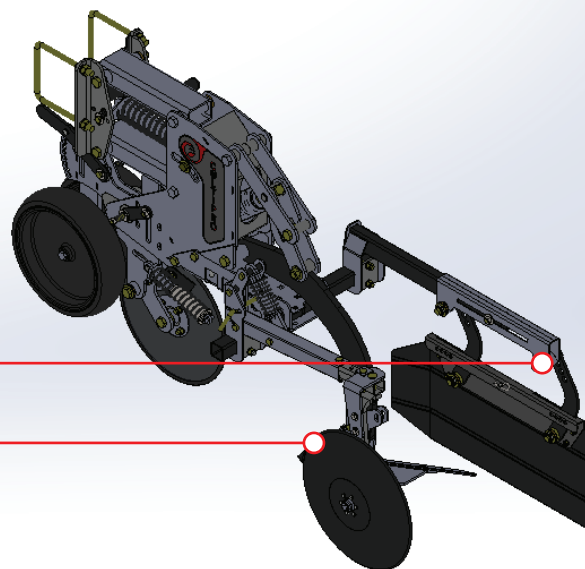
11.5 inches in length added to improve trash flow between cutaway discs and shares.
Narrower row unit structure with 3/4" spring steel flat shank accommodates narrower 20" row spacing.
Ability to adjust pitch of the share assembly. Quick, easy, no tool, hand adjustments.



CULTI-PRO OPTIONS

Open Top Shield

Cut Away Shield



Rotary Hoe Shield

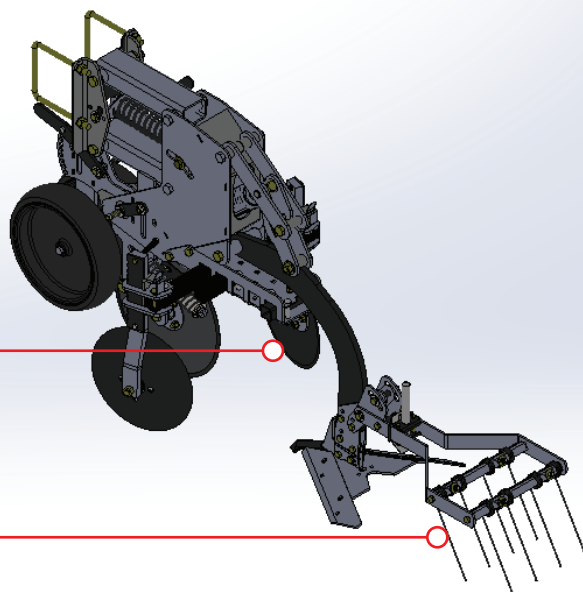
Liquid Fertilizer Y-Tube

Point and Reversible Share

Ridgers

Pair of Barring Off Disks
(Cutaway Discs)

Harrow Attachment



Culti-Pro Specifications

ITEM NUMBER	DESCRIPTION	TRANSPORT WIDTH	APPOXIMATE WEIGHT	3 PT. HITCH
RIGID TOOLBAR				
6502	4 Row 36/38 Inch	14'	2258 LB.	Cat. II & III
6503	6 Row 30	16'6"	2968 LB.	Cat. II & III
6504	6 Row 38/38 Inch Rigid	20'6"	3058 LB.	Cat. II & III
6525	6 Row 40	21'6"	3192 LB.	Cat. II & III
6505	8 Row 30 Inch Rigid	21'6"	3860 LB.	Cat. II & III
6506	8 Row 36/38 Inch Rigid	26'10"	4007 LB.	Cat. II & III
FOLDING TOOLBAR				
6527	8 Row 30 Inch Folding	12'4"	4401 LB.	Cat. II & III Quick Hitch
6533	8 Row 36/40 Inch Folding	15'8"	4635 LB.	Cat. II & III Quick Hitch
6530	12 Row 30 Inch Folding	17'4"	6265 LB.	Cat. 3N/ 3/ 4N/ 4
6512	12 Row 36/38 Inch Folding	21'1"	7365 LB.	Cat. 3N/ 3/ 4N/ 4
6514	16 Row 30 Inch Folding	22'1"	8785 LB.	Cat. 3N/ 3/ 4N/ 4

Specifications, features, and options are subject to change without notice by Hiniker Company. Standard Hiniker limited warranty applies. See your dealer for details.



HINIKER COMPANY

58766 240th St.

Mankato, MN 56001

Phone (507) 625-6621

www.agriculture.hiniker.com